

# LE79

# BUTTERFLY VALVES

TF-BFV-W NP16

Wafer type for flanges PN10/16 150LBS

## APPLICATION

Water, HVAC installations, pressurized air, industry, etc.

## GENERAL CHARACTERISTICS

- » Concentric Disc Valves.
- » Range from ND40 up to ND600.
- » Tightness in both ways.
- » Long neck for heat-insulated installations.
- » One-piece shaft. Avoid breakage due to water hammer.
- » Cartridge Seat for easy replacement.
- » Reduced dimensions and weights.
- » Does not need joints for installation.
- » Low load loss.
- » Top Flange according to ISO 5211.
- » 10 position lever.



## STANDARDS

- » Design: BS EN 593.
- » Face to Face: EN 558-1 Serie 20, ISO 5272 Serie 20, DIN 3202.
- » Mounting between flanges: PN10 / PN16 EN 1092-2, BS450, ANSI B16.1-5
- » Pressure Test: EN 12266-1, DIN 3230, BS6755 y ISO 5208:  
Body: 24 bar. Seat: 17,6 bar.
- » Manufacture acc. to the requirements of the EU directive 2014/68/EU Equipements under pressure: mod. H.

## WORKING CONDITIONS (EPDM)

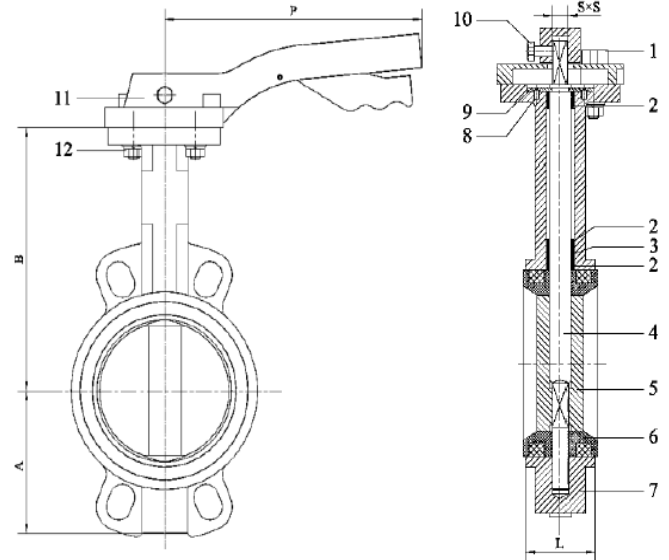
- » Maximum Working Pressure: 16 bar.
- » Maximum Working Temperature: -10 °C / +120 °C. Peak Temperature: -15 °C / 130 °C.

# LE79

## BUTTERFLY VALVES

### CONSTRUCTION

No.	Part	Material	Options
1	Locking Plate	Aluminum	
2	Bushing	PTFE	
3	O-Ring	NBR	EPDM
4	Stem	S.Steel 420	
5	Disc (**)	D.Iron GJS400	S.Steel 316
6	Seat (***)	EPDM	NBR
7	Body (*)	D.Iron GJS400	
8	Screws	S.Steel 304	
9	Thrust Washer	Carbon Stee	
10	Screw	S.Steel 304	
11	Lever	Aluminum (****)	
12	Bolt & Nut	S.Steel 304	



(\*) Available in SS CF8M & C.Steel A216 WCB.

(\*\*) Available in SS 316L & Alu-Bronze.

(\*\*\*) Available in FKM & PTFE.

(\*\*\*\*) Malleable Cast Iron for ND250 & 300.

### DIMENSIONS

ND	A	B	L	SxS	P	Torque (Nm)	ISO 5211	Weight
40	70	145	33	9x9	198	12	F05	2,1
50	72	129	42	9x9	198	19	F05	3
65	75	136	45	9x9	198	25	F05	3,6
80	97	144	45	9x9	198	30	F05	4,15
100	108	162	52	11x11	270	45	F07	5,75
125	123	188	54	14x14	270	60	F07	7
150	142	204	56	14x14	270	95	F07	9
200	169	238	60	17x17	270	200	F07	14,5
250	201,5	282	66	22x22	500	250	F10	20,5
300	241,5	311	77	22x22	500	400	F10	33

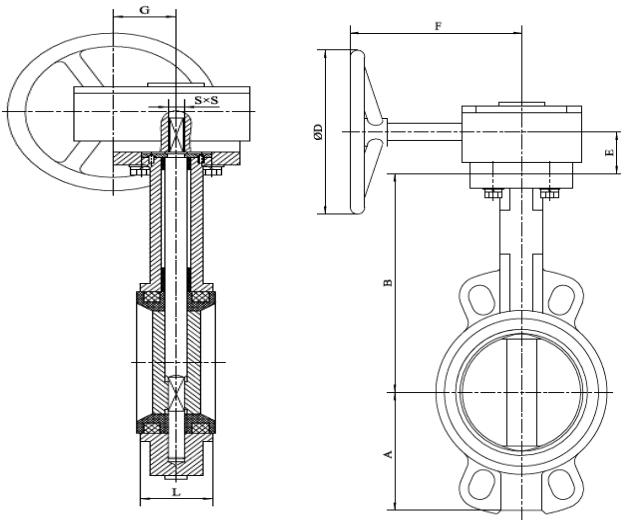
# LE79

## BUTTERFLY VALVES

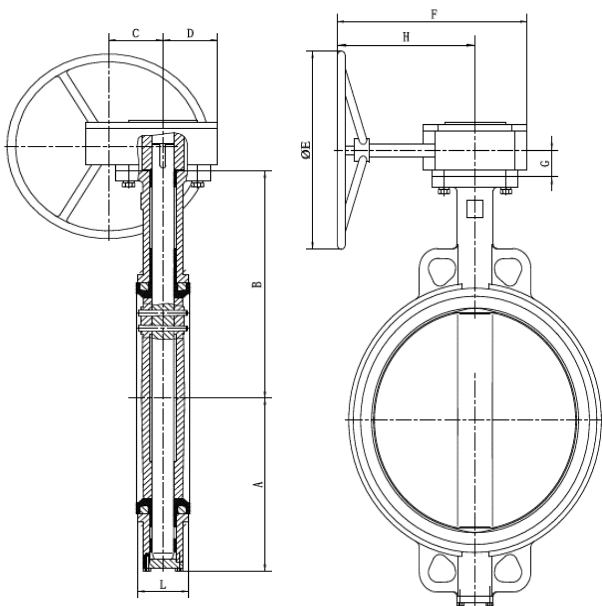
### DIMENSIONS

ND	A	B	D	SxS	E	F	G	L	Torque (Nm)	ISO 5211	Weight
40	70	145	138	9x9	27	144	48	33	12	F05	5,9
50	72	129	138	9x9	27	144	48	42	19	F05	6
65	75	136	138	9x9	27	144	48	45	25	F05	7
80	97	144	138	9x9	27	144	48	45	30	F05	7,5
100	108	162	138	11x11	27	144	48	52	45	F07	9
125	123	188	138	14x14	27	144	48	54	60	F07	10,5
150	142	204	138	14x14	27	144	48	56	95	F07	12,5
200	169	238	278	17x17	39	208	66	60	200	F07	20,5
250	201,5	282	278	22x22	39	208	66	66	250	F10	26,5
300	241,5	311	V	22x22	37	225	80	77	400	F10	40
ND	A	B	C	D	E	F	G	H	L	ISO 5211	Weight
350	277	368	81	81	300	305	42	226	77	F12	46
400	308	400	95	125	360	317	48	217	86	F12	75
450	342	422	96	125	360	317	48	217	105	F16	89
ND	A	B	C	D	E	F	K	G	L	ISO 5211	Weight
500	374	479	115	480	360	160	320	185	130	F16	128
600	459	562	120	520	360	160	335	185	152	F16	206

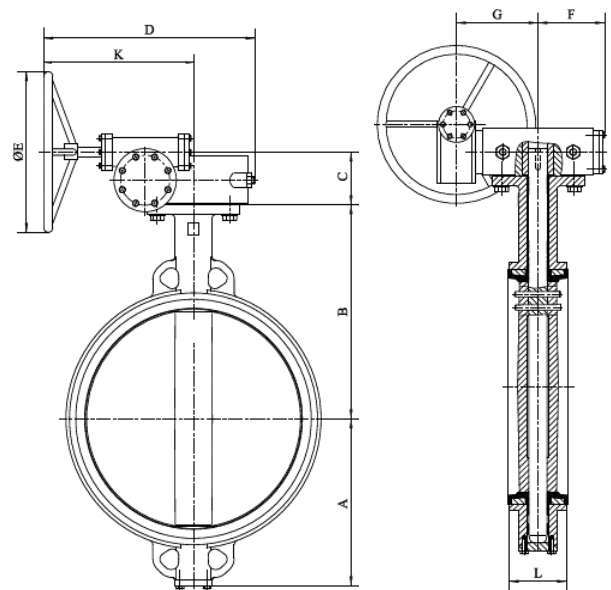
# LE79 BUTTERFLY VALVES



**ND40-300**



**ND350-450**



**ND500 & 600**