

GLOBE VALVES WITH SCREWED ENDS

Nominal diameter options (DN) 8-100
 Nominal pressure options (PN) 16-25-40
 Maximum working temperature 250 °C

All globe valves correspond to the pressure equipment directive 97/23/EC.

Material options:

- A) Bronze 0117
- B) Bronze 0118
- C) Bronze 0116A-0116C
- D) Stainless steel 01GB200



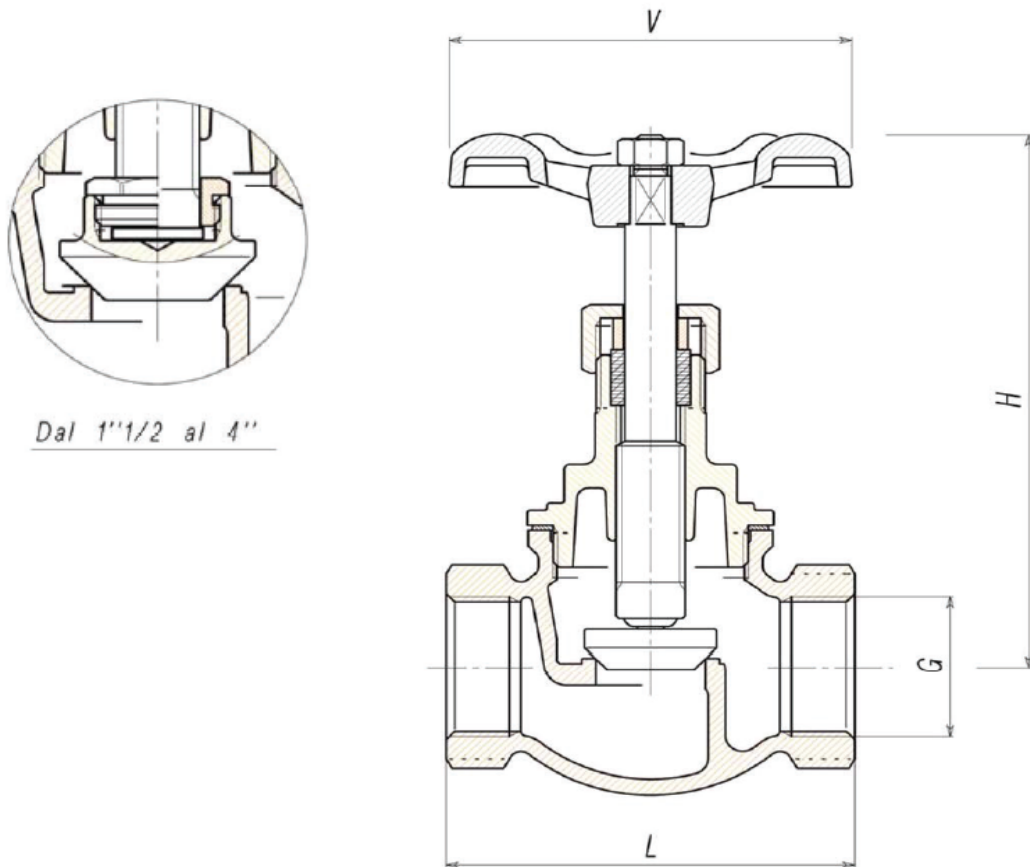
FEATURES

Fig. number	Body material	Nominal pressure PN	Nominal diameter DN	Max. temperature
0117	A) Bronze	PN16	DN8-100 / 1/4"-4"	200 °C
0118	B) Bronze	PN16	DN8-100 / 1/4"-4"	200 °C
0116A-0116C	C) Bronze	PN25	DN8-50 / 1/4"-2"	200-250 °C
01GB200	D) Stainless steel	PN16	DN8-50 / 1/4"-2"	180 °C

Globe valve can be equipped with hydraulic, pneumatic or electric actuator.
 Ask more from ECONOSTO Oy sales personnel.

DIMENSIONS

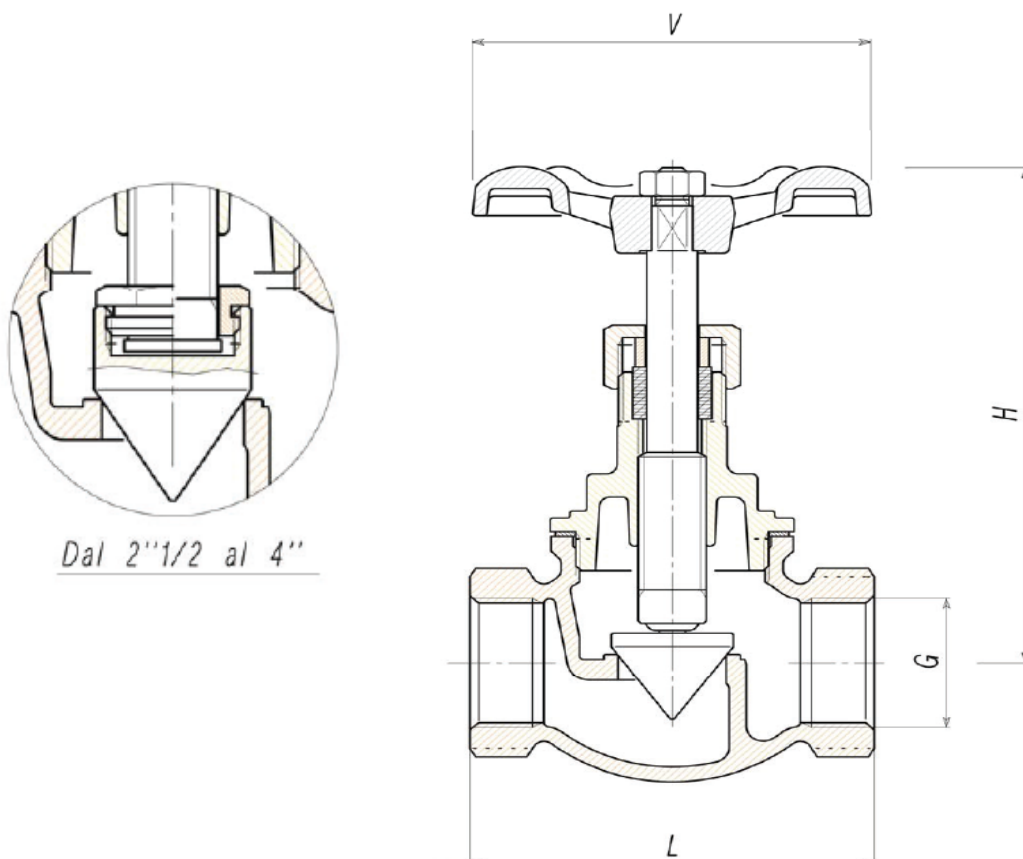
A) 0117 Bronze



G	1/4"	3/8"	1/2"	3/4"	1"	1"1/4	1"1/2	2"	2"1/2	3"	4"	Toll
V	55	55	55	70	70	80	80	95	110	130	130	
H	78	78	78	91	101	118	137	152	213	230	260	+2%
L	54	54	54	71	80,5	96	104	128	155	173	199	+1%

DIMENSIONS

B) 0118 Bronze



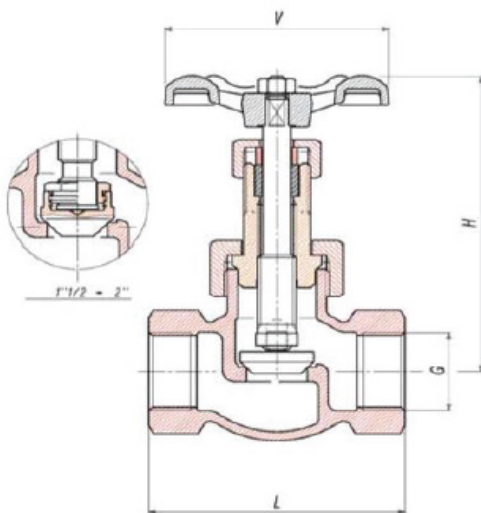
G	1/4"	3/8"	1/2"	3/4"	1"	1"1/4	1"1/2	2"	2"1/2	3"	4"	Toll
V	55	55	55	70	70	80	80	95	110	130	130	
H	78	78	80	91	101	118	137	152	213	230	260	+2%
L	54	54	59	71	80,5	96	104	128	155	175	199	+1%

DIMENSIONS

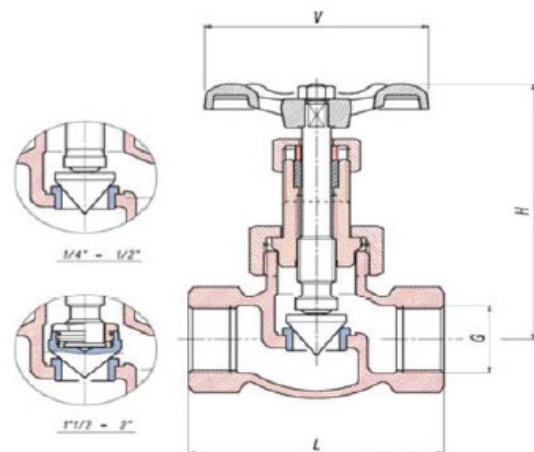
C) 0116A Bronze, metal seat
0116C Bronze/RST, with regulating disc, stainless steel seat



0116A



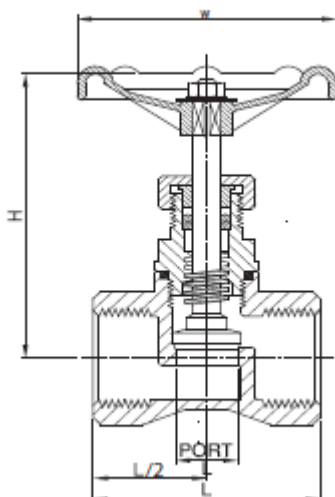
0116C



R	1/4"	3/8"	1/2"	3/4"	1"	1"1/4	1"1/2	2"
V	55	55	55	70	80	80	80	95
K	88	88	88	101	122	137	140	163
L	54	54	64	79	88	102	120	137

DIMENSIONS

D) 01GB200
 Stainless steel
 Screwed-in bonnet
 Non-rising stem
 Reduced bore
 Solid wedge disc
 PTFE seats and seal



R	1/4"	3/8"	1/2"	3/4"	1"	1"1/4	1"1/2	2"
Port mm	12	12	12	15	20	25	32	40
H (open) mm	77	77	79	91	105	127	142	158
L mm	52	52	52	60	72	80	90	102
L/2 mm	26	26	26	30	36	40	45	51
W mm	70	70	70	70	80	80	90	100
kg/pc	0,30	0,30	0,30	0,40	0,60	0,90	1,20	1,70