

## “ADCATROL” CONTROL VALVES V25 (EN)

(V25 globe control valves suitable for linear actuators PA and EL series)

### DESCRIPTION

The V25 control valves are single seated, two-way body constructed with in-line straight connections. The valves can be supplied with PA pneumatic actuator-rubber diaphragm and multi-springs DA-direct action (air to close) or RA-reverse action (air to open) or they can also be supplied with EL electric actuators. The V25 valves have been designed to assure an accurate control in any process condition. Their wide application ranges allows the use of this valve with the most common process fluids such as water, superheated water, steam, air, gas and other non corrosive fluids.

### MAIN FEATURES

Single seated, two ways, direct or reverse action valve. Valve top flange permanently attached to the body, removal is unnecessary for replacing the actuator. Metal to metal or soft sealing.



**OPTIONS:** Perforated low noise plug  
Bellows seal (DN125 and 150 only)  
Stainless steel construction.

**USE:** Saturated and superheated steam.  
Hot and superheated water.  
Air, gases and other noncorrosive fluids.

**AVAILABLE MODELS:** V25G and V25S

**VALVE SIZES:** DN125 to DN200

**CONNECTIONS:** Flanged EN1092-1/-2 PN16 - PN40

**ACTUATORS:** PA or EL series

**HOW TO SELECT:** Never size the valve according to the pipe diameter in which it has to be fitted but according to the required actual flow of steam or water. Refer to valve calculation data sheet or consult the factory.

**BONNET :** From -5°C to +220°C (standard)  
Finned for temperature >220°C

**STEM SEALING:** PTFE/GR V-Rings - up to 220°C  
(Standard bonnet)  
Graphite - up to 400°C  
(Finned bonnet)  
Stainless steel bellows

**PLUG CHARACTERISTICS:** EQP - Equal percentage  
PL - Linear  
PT - On-Off

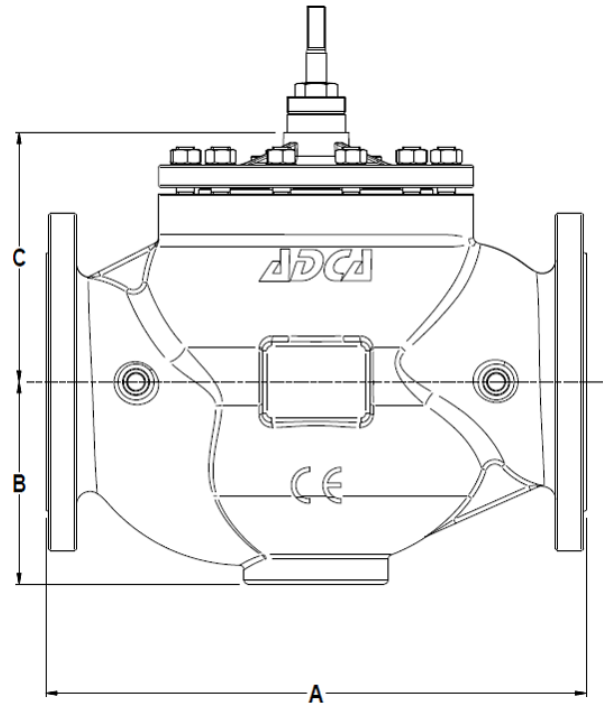
**PLUG DESIGN :** Contoured (on request)  
V-ported  
Perforated  
(Low noise, anti-cavitation)

**PORT:** Full port or reduced on request

CE MARKING (PED - European Directive)		
PN 16	PN 40	Category
DN125 to DN200	/	1 (CE Marked)
/	DN125 to DN200	2 (CE Marked)

VALVE BODY LIMITING CONDITIONS			
V25G - PN16 *		V25S - PN40 *	
ALLOWABLE PRESSURES	RELATED TEMP.	ALLOWABLE PRESSURES	RELATED TEMP.
16 bar	-10/50 °C	40 bar	-10 /50° C
14,7 bar	200 °C	33,3 bar	200 °C
13,9 bar	250 °C	27,6 bar	300 °C
12,8 bar	300 °C	25,7 bar	350 °C
11,2 bar	350 °C	23,8 bar	400 °C

Note: Maximum temperature limited to the valve packing selected.  
 Valves with soft seat , maximum allowable temperature : 200°C  
 \*Rating according to EN 1092-1:2007



DIMENSIONS - STROKE - FLOW RATE COEFFICIENTS									
DN	A (mm)	B (mm)	C (mm) BONNET			STROKE (mm)	Kvs (m3/h)		
			STANDARD	FINNED	BELLOWS		V-Ported EQP & PL*	Perforated PL	Perforated EQP
125	400	135	183	303	590	40	230,6	180	121
150	480	150	200	320	610	40 / 50	316,1	260	189
200	600	225	278	398	/	50 / 80	590	402	270

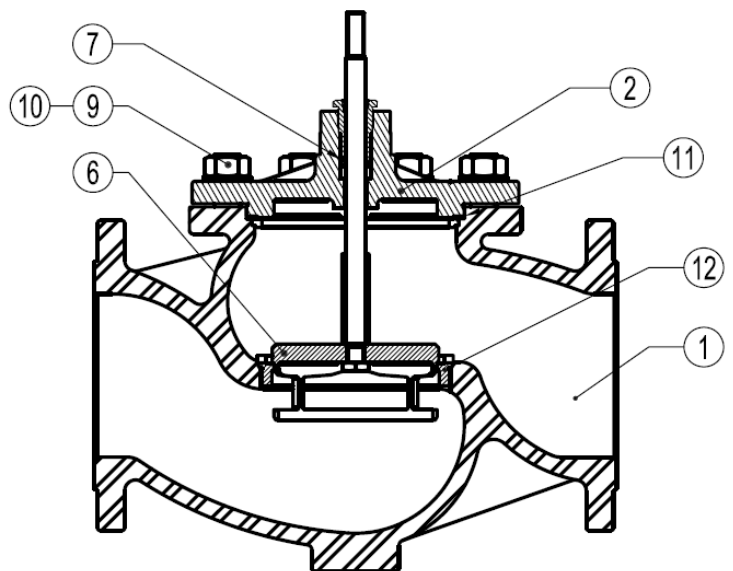
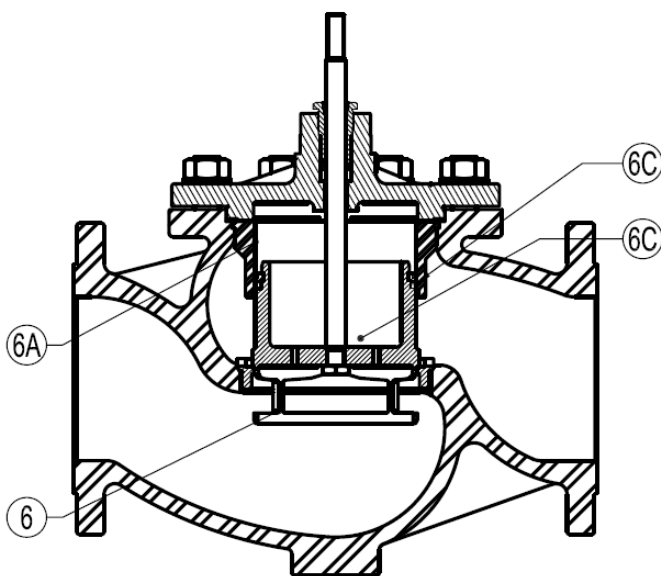
\*PL characteristic can be used also for on-off (PT) control.  
 Perforated plugs and on-off valves may have different strokes, please see IS PV10.00 E or consult factory.  
 Kvs in m3/h , see data sheet IS PV10.00 E ; For conversion Kvs = Cv(US) x 0,855

PLUG DESIGN			
V - Ported Equal percentage - EQP	V - Ported Linear - PL	Perforated Equal percentage - EQP	Perforated Linear - PL

V-Ported and perforated plugs are also available in balanced pressure version.

MATERIALS			
POS.	DESIGNATION	MATERIAL V25G	MATERIAL - V25S
1	Valve Body	GJS-400-15 / 0.7040	ASTM A216WCB / 1.0619 ; GP240GH / 1.0619
2	Bonnet	ASTM A216WCB / 1.0619 ; GP240GH / 1.0619	ASTM A216WCB / 1.0619 ; GP240GH / 1.0619
6	*Valve plug	AISI316 / 1.4401	AISI316 / 1.4401
6A	*Valve sleeve	AISI316 / 1.4401	AISI316 / 1.4401
6B	Balance piston	AISI316 / 1.4401	AISI316 / 1.4401
6C	Sealing rings	St.St. / Graphite	St.St. / Graphite
7	*Standard packing	Graphite	Graphite
9	Studs	34CrNiMo6 / 1.6582	34CrNiMo6 / 1.6582
10	Nuts	Stell 8.8	Steel 8.8
11	*Gasket	St. Steel / Graphite	St. Steel / Graphite
12	*Seat	AISI316 / 1.4401	AISI316 / 1.4401

\* Available spare parts



VALVE DESIGN - FLOW DIRECTION			
STANDARD V - PORTED PLUG	STANDARD PERFORATED PLUG	BALANCED V - PORTED PLUG	BALANCED PERFORATED PLUG