

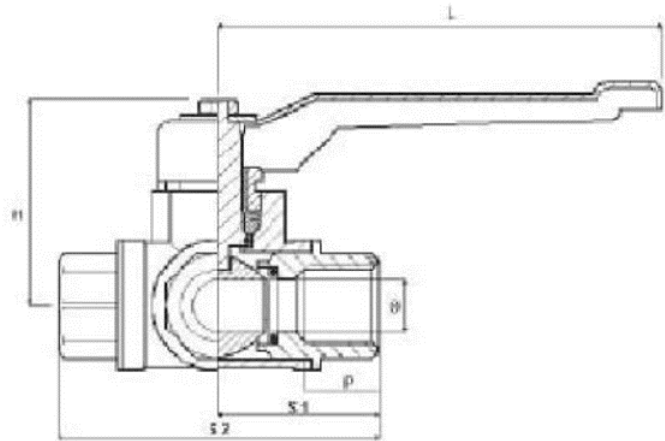
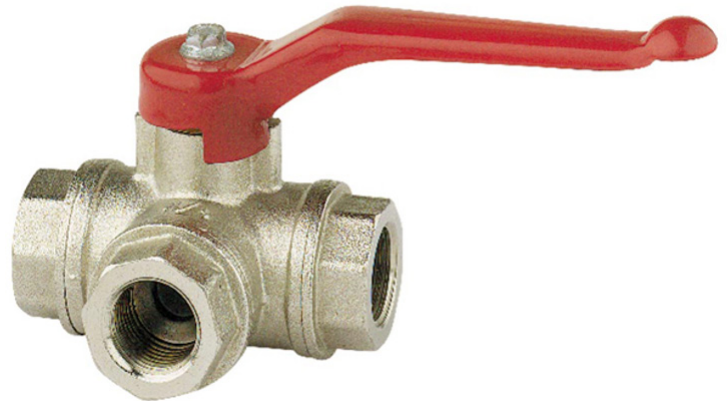
SERIE 03
 035310
 035311

3-way ball valves with threaded ends, brass

Nominal diameter options (DN) 8-50

TYPE 035310
 3-way ball valve T-shape

TYPE 035311
 3-way ball valve L-shape



DIMENSIONS

Unit: mm

D		1/4"	3/8"	1/2"	3/4"	1"	1" 1/4	1" 1/2	2"
d		10	10	12	15	20	25	31	40
A		92	92	112	150	150	150	240	240
B		53	53	61	71	74	79	98	102
C		74	74	80	89	105	113	140	161
E		14	14	16	17	21	21	26	30
035310 kg	T-shape	660	640	625	860	1480	1990	3665	5730
035311 kg	L-shape	670	645	635	865	1490	2045	3725	5860

* Ball valve can be equipped with hydraulic, pneumatic or electric actuator. Ask more from Econosto Oy sales.