

SERIE 11
 11206
 11208
 1149

Check valves with threaded ends, brass and bronze

Swing check valves
 Spring check valves
 Globe check valves

TYPE 11206
 Swing check valve, brass



TYPE 11208
 Spring check valve, brass



TYPE 1149
 Globe check valve, bronze

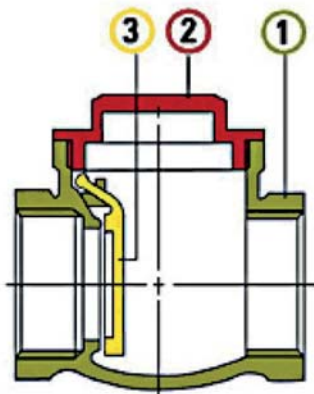


TYPE 11206 - FEATURES

- Swing check valve F/F
- Rubber seat
- PN10-16 (at a room temperature of about +23°C)
- DN 1/2" - 6"
- Working temperature: -10°C...+90°C (without liquid)
- Connections: ISO 228/1
- Applications: water plants, heating plants, sanitary plants, waterworks etc.



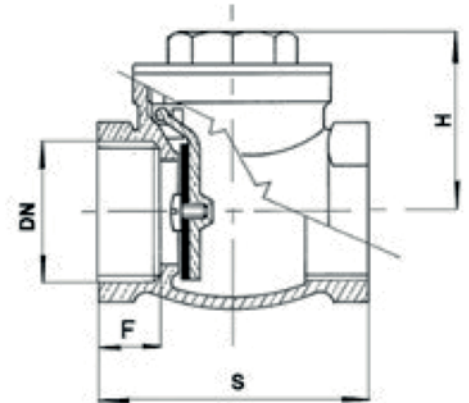
TYPE 11206 - MATERIALS AND PARTS



No.	Part	Material
1	Body	1/2"-4" Brass 5"-6" Bronze
2	Plug	Brass
3	Obturator	Brass

TYPE 11206 - DIMENSIONS and TECHNICAL INFORMATION

Inch	F	H	S	KG	PN		Kv	Cv
1/2"	11	31	47	0,17	16		6,5	7,5
3/4"	12	34	54	0,30	16		12,0	14,0
1"	13	40	64	0,33	16		20,0	23,0
1" 1/4	14	46	76	0,65	16		31,0	36,0
1" 1/2	15	52	83	0,77	16		50,0	58,0
2"	16	59	98	1,09	16		79,0	91,0
2" 1/2	18	67	116	1,86	16		130,0	150,0
3"	20	77	135	2,46	16		210,0	243,0
4"	22	91	164	3,52	10		370,0	428,0
5"	23	118	206	10,72	10		750,0	868,0
6"	27	134	235	15,25	10		1300,0	1504,0

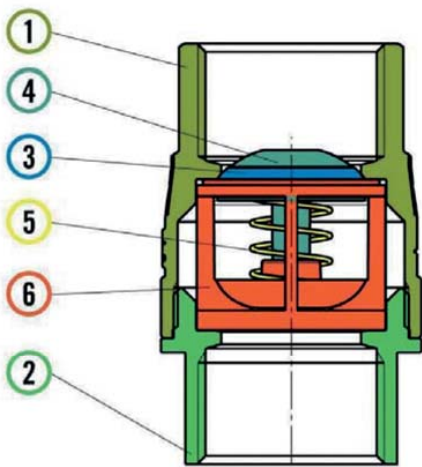


TYPE 11208 - FEATURES

- Spring check valve, full bore
- Techno-polymer disc
- PN16-25-40 (at a room temperature of about +23°C)
- DN 1/2" - 2"
- Working temperature: -10°C...+90°C (without liquid)
- Connections: ISO 228/1
- Applications: water plants, heating plants, sanitary plants, waterworks etc.



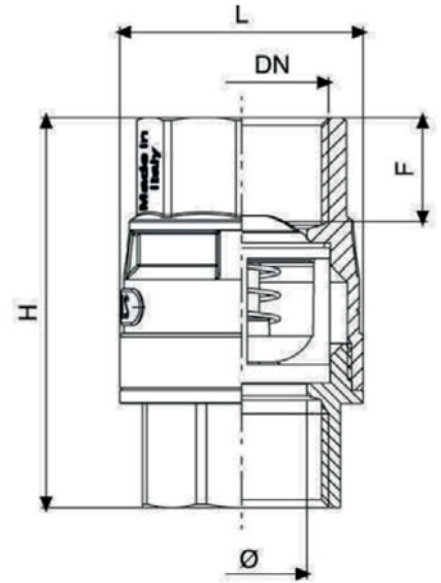
TYPE 11208 - MATERIALS AND PARTS



No.	Part	Material
1	Body	Brass
2	Body end	Brass
3	Gasket	SEBS
4	Obturator	POM
5	Speing	Stainless steel
6	Basket	POM

TYPE 11208 - DIMENSIONS and TECHNICAL INFORMATION

Inch	ø	F	H	L	KG	PN		Kv	Cv
1/2"	15	16,5	56,3	30,5	0,124	40		7,0	-
3/4"	20	17,4	61	38	0,185	40		12,0	-
1"	25	20,7	74,8	46,5	0,320	25		17,0	-
1" 1/4	32	22,5	93,5	56,5	0,560	25		27,0	-
1" 1/2	40	22,8	99,4	68	0,830	16		49,0	-
2"	50	27	110	83	1,248	16		67,0	-



TYPE 1149 - FEATURES

- Globe check valve
- Bronze
- Metal or PTFE-seal
- PN16
- DN 1/4" - 4"



TYPE 1149 - DIMENSIONS

DN	L	H	KG
1/4"	54	30	0,24
3/8"	54	30	0,22
1/2"	58	30	0,29
3/4"	70	38	0,49
1"	80	45	0,72
1" 1/4	95	56	1,15
1" 1/2	105	60	1,40
2"	128	70	2,20
2" 1/2	155	85	4,35
3"	175	92	6,20
4"	200	110	10,25

