

SERIE 03
0336BW

Ball valves with butt-weld/screwed ends, stainless steel

Nominal diameter options (DN) 8-100
Maximum working temperature acc. to seal material

FEATURES

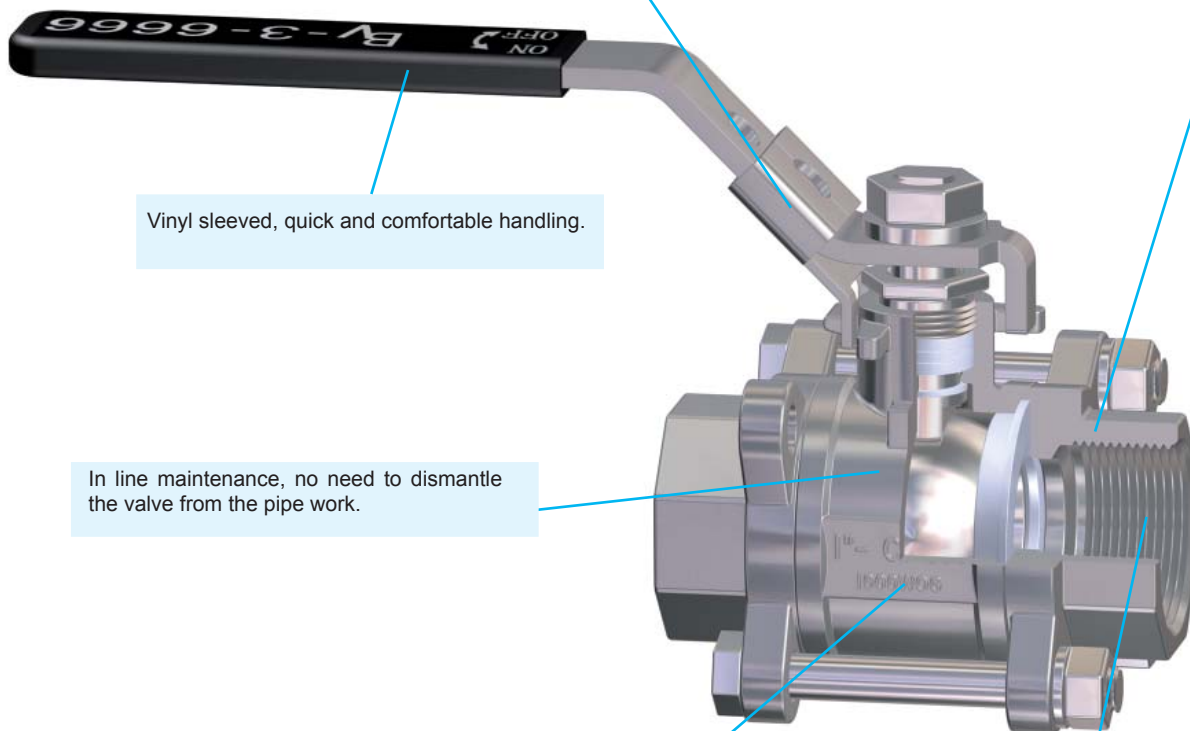
Main Applications: Water, oil, compressed air, low pressure steam, etc.

Face to face dimensions: According to EN558-1

Valves for 90° operation mainly used along non compressible fluids.

Locking device and padlock arrangement for unauthorized operations.

Interchangeable ends by means of studs, other valve ends can be accommodated.



Vinyl sleeved, quick and comfortable handling.

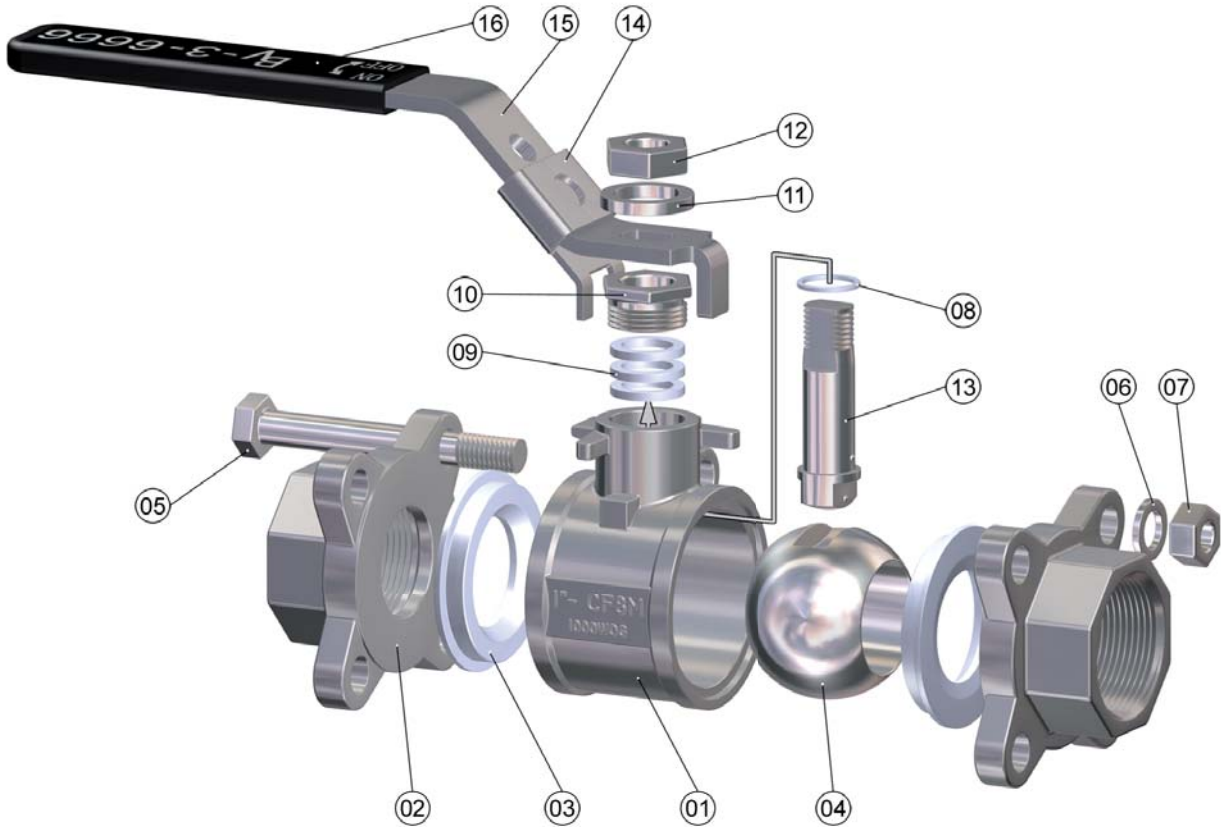
In line maintenance, no need to dismantle the valve from the pipe work.

Size, Material and Design Pressure engraved in the valve body. CE marking according to PED 97/23/CE is visible in the valve body.

Full bore in Series BV2 and BV3, in line maintenance and less pressure drop.

* Ball valve can be equipped with hydraulic, pneumatic or electric actuator. Ask more from Econosto Oy sales.

PART AND MATERIAL LIST

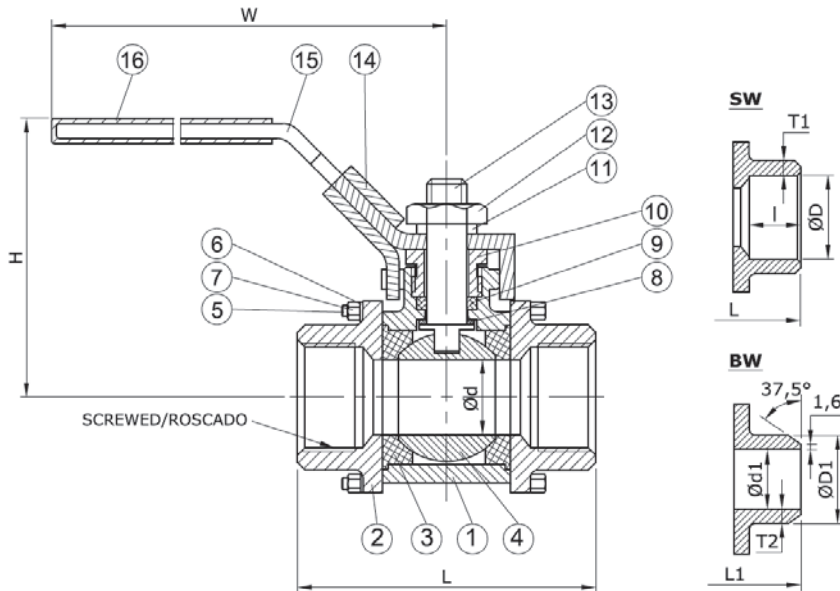


N0.	PART	MATERIAL
1	BODY	St. Steel SS316
2	CAP	St. Steel SS316
3	SEAT	PTFE
4	BALL	St. Steel SS316
5	BOLT	St. Steel SS304
6	WASHER	St. Steel SS304
7	NUT	St. Steel SS304
8	THRUST WASHER	PTFE
9	STEM PACKING	PTFE
10	GLAND NUT	St. Steel SS304
11	STEM WASHER	St. Steel SS304
12	STEM NUT	St. Steel SS304
13	STEM	St. Steel SS316
14	LOCKING DEVICE	St. Steel SS304
15	HANDLE	St. Steel SS304
16	PLASTIC COVER	Plastic

Ball valves with butt-weld/screwed ends, stainless steel

SERIE 03

DIMENSIONS



DN		SW						BW			Weight		
NPS	mm	L	Ød	H	W	ØD	I	T1	L1	ØD1	Ød1	T2	(kg)
1/4"	6	58	11,6	52	102	14,1	14	3,9	70	17	10	3,5	0,5
3/8"	10	58	12,7	54	102	17,6	15,5	2,2	70	17	12,5	2,25	0,5
1/2"	15	63	15	62	123	21,7	16	2,5	75	21,3	16	2,65	0,5
3/4"	20	73	20	66	123	27,1	16,5	2,9	90	26,7	20	3,35	1,0
1"	25	85	25	77	153	33,8	19	2,6	100	33,6	25	4,3	1,0
1.1/4"	32	96	32	80	153	42,6	22	3,3	110	42,4	33,8	4,3	1,5
1.1/2"	40	114	38	91	183	48,7	22	3,6	125	48	39,5	4,25	2,5
2"	50	134	50	98	183	61,1	25	4,5	150	60,5	50,8	4,85	3,5
2.1/2"	65	180	65	138	246	76,9	38	4,1	190	76,1	62,7	6,7	7,0
3"	80	200	80	149	246	89,8	41	6,85	220	88,9	77,9	5,5	12,5
4"	100	228	100	175	246	115,5	26	5,5	270	114,2	100	7,1	20,5

unit = mm

According to Pressure Equipment Directive PED 97/23/EC