

SERIE 14

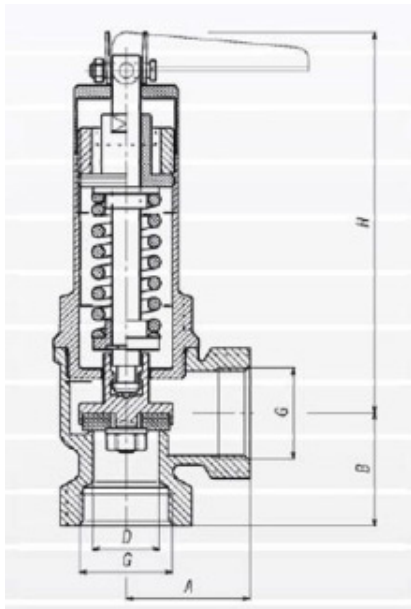
Safety valve, bronze

TYPE 1481 - WITH LEVER
TYPE 1482 - WITH CAP

ANGLE TYPE WITH LEVER (1481) OR CAP (1482)

TYPE 1481 SAFETY VALVE

- Angle type with lever
- Material: Bronze
- Seat: PTFE
- Nominal pressure: PN16
- Regulation range: 0,5-3,0 bar
3,0-9,0 bar
9,0-12,0 bar



DN	L	H	KG
1/2"	35	90	0,4
3/4"	42	115	0,7
1"	46	125	1,0
1" 1/4	55	140	1,6
1" 1/2	67	160	2,2
2"	74	175	3,4

SERIE 14

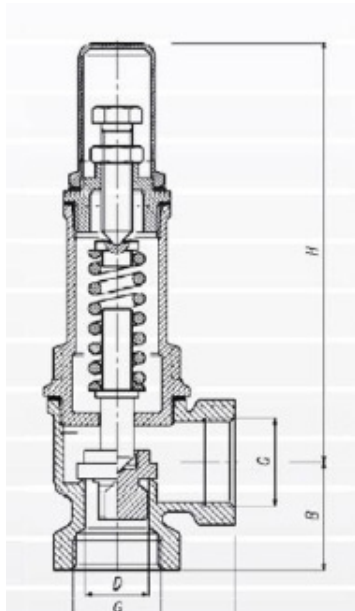
Safety valve, bronze

TYPE 1481 - WITH LEVER
 TYPE 1482 - WITH CAP

Nominal diameter options (DN) 8-50
 Nominal pressure options (PN) 40-63
 Maximum working temperature (°C) 180 °C

TYPE 1482 SAFETY VALVE

- Angle type with cap
- Material: Bronze
- Seat: PTFE or metal
- Nominal pressure: PN16
- Regulation range: 0,5-3,0 bar
2,5-10,0 bar
10,0-12,0 bar



DN	L	H	KG
1/2"	35	102	0,4
3/4"	42	135	0,7
1"	46	140	1,1
1" 1/4	55	160	1,5
1" 1/2	67	180	2,2
2"	74	190	3,4
2" 1/2	80	225	5,7
3"	90	235	7,0
4"	110	310	13,7



Metal version