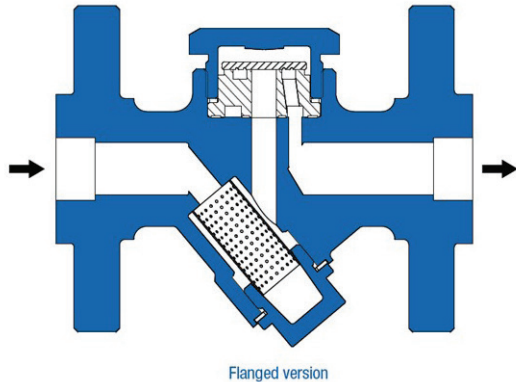


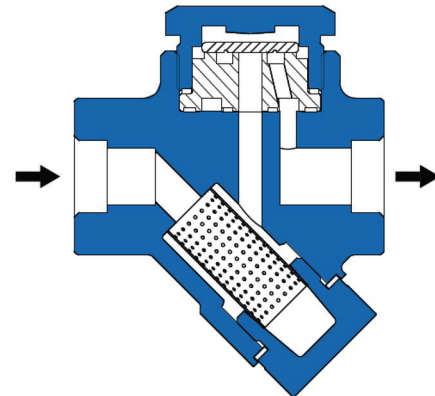
SERIE 20
 THERMODYNAMIC
 STEAM TRAPS

Thermodynamic Steam Traps

Nominal diameter options (DN) 15-25
 Nominal pressure options (PN) 40
 Maximum working temperature 450°C



Flanged version



Threaded version

FEATURES

Housing-Material: ASTM A105

Connections/Dimensions: Flanges 1/2"-1", acc. ANSI B 16.5, Class 150, 300 & 600
 Flanges DN 15-25, acc. DIN EN 1092-1, PN40
 Female thread G 1/2"-1" (BSP) acc. DIN ISO 228-1
 Female thread Rp 1/2"-1" (BSPT) acc. DIN 2999
 Female thread 1/2"-1" NOPT acc. ANSI B 1.20.1
 Socket weld DN15-25 acc. DIN EN 12760 as ANSI B 16.11
 Other connections on request

Media: Steam/- condensate

Function: Periodic removal of condensate and ventilation of steam systems by using the thermodynamic effect.

Installation: Preferably horizontal, vertical possible also

Additional equipments:

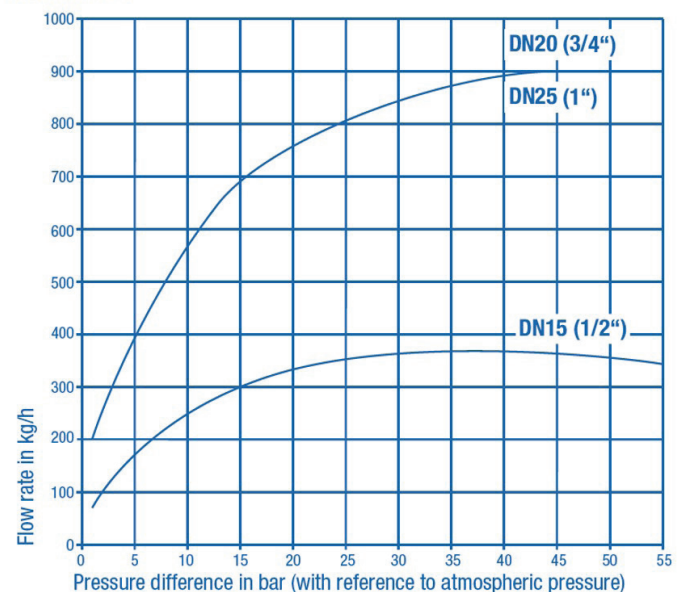
-Blow-down valve

Characteristics:

- Compact design
- Adapts automatically to the operating conditions
- Drains the condensate with very low heat loss
- Tough valve design
- Resistant against water shocks

CE-Mark: The pressure equipment is in accordance with the Pressure Vessel Directive 97/23/EC, Art. 3, subsection 3 and bears no CE mark.

Performance:

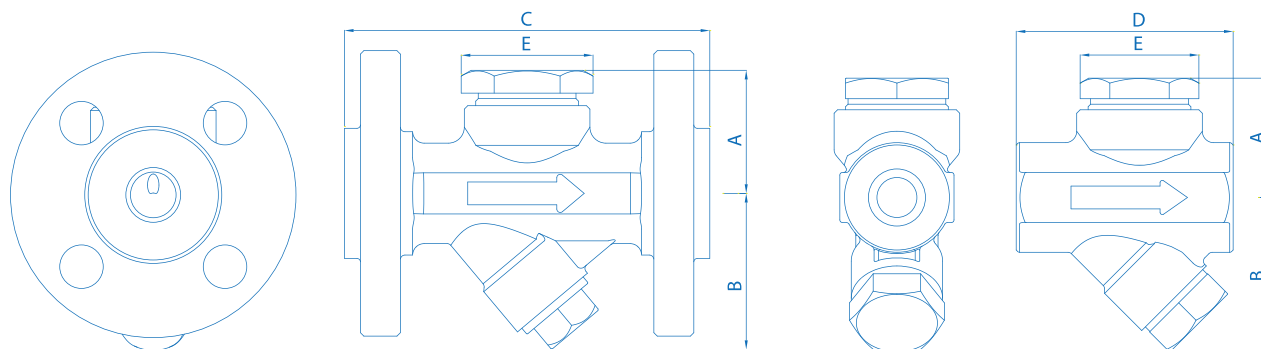


OPERATION LIMITS:

	Thread	Socket weld
Max. working pressure bar g	31,6	55
Max. working temperature °C	427	450

	Cl. 150	Cl. 300	Cl. 600
Max. working pressure bar g	20	52	55
Max. working temperature °C	425	425	425

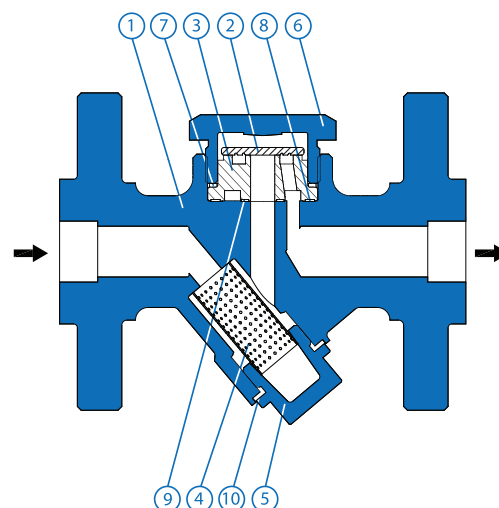
DIMENSIONS (dimensions in mm, weight in kg)



Connections	Thread			Flange		
	1/2"	3/4"	1"	DN15	DN20	DN25
A	52	52	52	54	54	54
B	70	70	70	70	70	70
C	-	-	-	150	150	160
D	95	95	95	-	-	-
E	58	58	58	58	58	58
Weight	1,5	1,5	1,3	3,5	4,5	5,2

SPARE PARTS

- 1. Housing: ASTM A105
- 2. Disc*: ASTM A276 Type 420
- 3. Valve seat*: ASTM A681 Gr.D2
- 4. Strainer: ASTM A240 Type 304
- 5. Screw plug for strainer: ASTM A105
- 6. Cover: ASTM A582 Type 416
- 7. Cover gasket: ASTM A276 Type 304+graphite
- 8. Gasket for valve seat exterior: ASTM A276 Type 304+graphite
- 9. Gasket for valve seat interior: ASTM A276 Type 304+graphite
- 10. Gasket for screw plug: ASTM A276 Type 304+graphite



* Due to sealing requirements, marked items cannot be supplied as individual parts.