

SERIE 02
TYPE 02210
TYPE 02240

Flanged end gate valve, steel

Nominal diameter options (DN) 40-1000
Nominal pressure options (PN) 6-16 / 16-100
Maximum working temperature 595°C



TYPE 02210

TYPE 02210 and 02240

APPLICATION

Pipelines in industrial systems

Industrial water, drinking water, steam, air

Chemical industry, mining, petrochemical industries

FEATURES

- Rising, non rotating stem
- Valve opening is provided slowly , with gradual suspension of the stroke in order to prevent hydraulic and thermal shocks in the valve
- Shut-off valves can be operated in position open-close, non-throttling can be operated also in an intermediate position.

INSTALLATION

Can be installed both in a vertical and horizontal position. Operating when fully closed or open.

CONNECTIONS

- Butt-welded according to EN-12627, flanged according to EN-1092-1 or acc. to customer's request
- Face-to-face dimensions according to EN-558-1 14 series (DIN3202 F4 series)

OPERATION

- Handwheel (if required)
- Electric actuator
- Gear box
- Flange ISO 5210 (ready for actuator)

DIRECTIVES, CERTIFICATES AND TESTING

- The tests are carried out acc. to DIN EN12266-1 shell test: nominal pressure (PN) X1.5

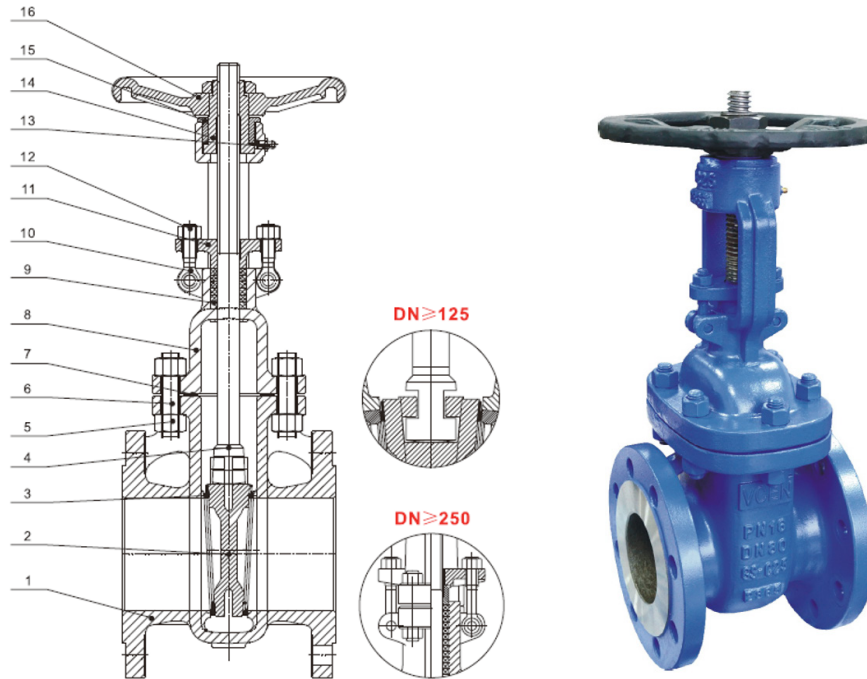
Tightness of seat: nominal pressure PNX1

- Certificate of conformity in acc. with PN-EN 10204. Design acc. to PN-EN 12516-2
- Pressure Equipment Directive 97/23/EC



TYPE 02240

PART LIST
TYPE 02210



Pos.	Name	Material
1	Body	1.0619 (A216 WCB), 1.7357 (A217 WC6), 1.4408 (A351 CF8M)
2	Wedge	1.0619 (A216 WCB), 1.7357 (A217 WC6), 1.4408 (A351 CF8M)
3	Seat	13Cr, STL6
4	Stem	X20Cr13, F316,
5	Gasket	Graphite + stainless steel
6	Nut	A194 2H,A194 4,A194 8M
7	Blot	A193 B7,A193 B16,A193 B8M
8	Bonnet	1.0619 (A216 WCB), 1.7357 (A217 WC6), 1.4408 (A351 CF8M)
9	Packing	Graphite
10	Gland	1.0619 (A216 WCB), 1.7357 (A217 WC6), 1.4408 (A351 CF8M)
11	Eyelet bolt	A193 B7,A193 B16,A193 B8M
12	Nut	A194 2H,A194 4,A194 8M
13	Grease nipple	Cu alloy
14	Stem nut	GGG40.3;Cu alloy
15	Screw	C.S,SS316
16	Handwheel	C.S

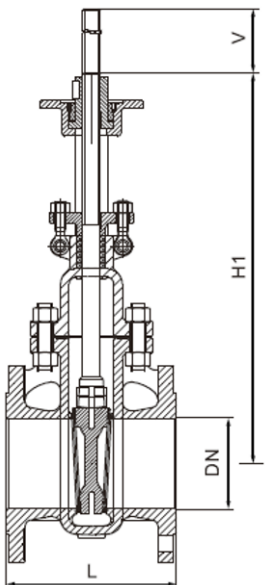
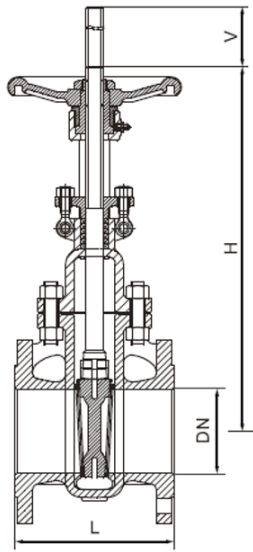
P-T DATA

Material	PN	Working pressure MPa / Working temperature °C Form EN12516-1													
		100	150	200	250	300	350	400	425	450	500	525	550	575	595
1.0619 (A216 WCB)	16	1.36	1.27	1.14	1.04	0.94	0.88	0.84	-	-	-	-	-	-	-
	25	2.13	1.98	1.78	1.62	1.47	1.37	1.32	-	-	-	-	-	-	-
	40	3.41	3.17	2.84	2.60	2.35	2.19	2.11	-	-	-	-	-	-	-
1.4408 (A351 CF8M)	16	1.33	1.2	1.1	1.02	0.96	0.91	0.87	0.86	0.86	0.83	-	-	-	-
	25	2.07	1.87	1.72	1.6	1.5	1.42	1.36	1.35	1.34	1.3	-	-	-	-
	40	3.32	2.99	2.75	2.56	2.41	2.27	2.18	2.16	2.14	2.08	-	-	-	-
1.7357 (A217 WC6)	16	1.63	1.58	1.49	1.43	1.33	1.23	1.15	1.11	1.07	0.89	0.68	0.35	0.28	0.2
	25	2.54	2.48	2.33	2.23	2.08	1.93	1.8	1.73	1.67	1.39	1.06	0.55	0.43	0.32
	40	4.07	3.96	3.74	3.57	3.33	3.09	2.89	2.77	2.67	2.23	1.7	0.88	0.69	0.52

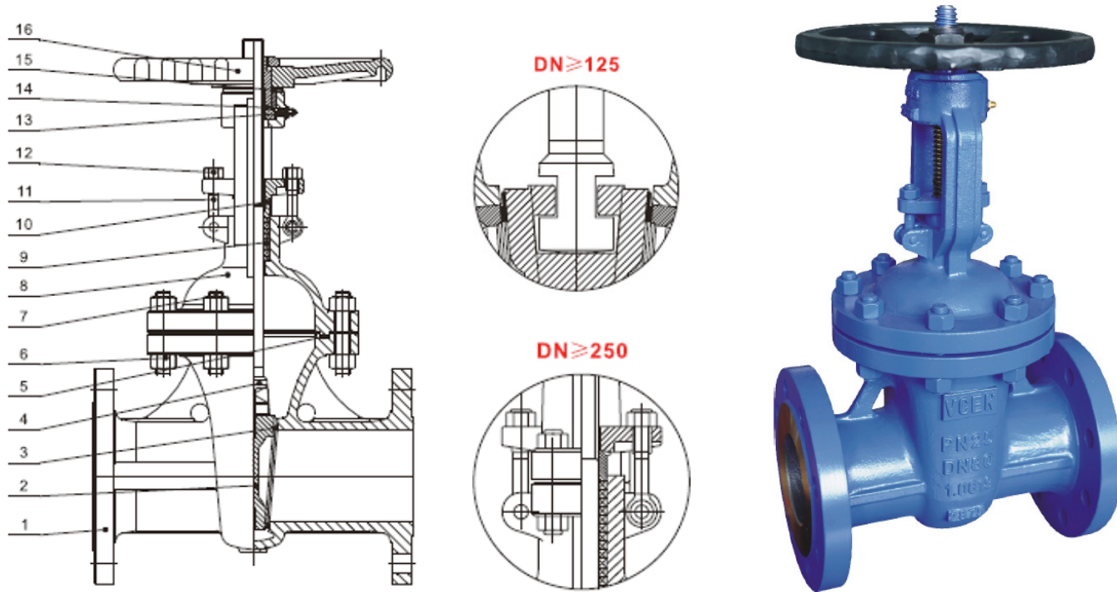
Note: the temperature not listed in the table is selected by linear interpolation method.

DIMENSIONS - TYPE 02210
PN10-16

DN	L mm	H mm	V mm	Weight kg	H1 mm	Torque Nm	Top flange ISO 5210
				FL			
40	140	265	46	13	280	25	F7
50	150	285	57	15	295	30	F10
65	170	350	72	21	365	35	F10
80	180	395	87	27	410	40	F10
100	190	460	108	32	480	55	F10
125	200	525	133	44	550	80	F10
150	210	585	158	65	615	150	F14
200	230	745	210	88	780	140	F14
250	250	870	260	125	910	210	F14
300	270	1040	312	155	1060	300	F14
350	290	1140	360	280	1140	400	F14
400	310	1295	412	390	1310	590	F16
450	330	1380	460	495	1400	710	F25
500	350	1535	512	600	1565	780	F25
600	390	2435	610	780	2460	1280	F25
700	430	2925	710	930	2970	2200	F30
800	470	3150	810	1500	3190	2500	F30
900	510	3670	910	1840	3700	3600	F35
1000	550	3900	1012	2800	3950	4700	F35



PART LIST
TYPE 02240



Pos.	Name	Material
1	Body	1.0619 (A216 WCB), 1.7357 (A217 WC6), 1.4408 (A351 CF8M)
2	Wedge	1.0619 (A216 WCB), 1.7357 (A217 WC6), 1.4408 (A351 CF8M)
3	Seat	13Cr, STL6
4	Stem	X20Cr13, F316,
5	Gasket	Graphite + stainless steel
6	Nut	A194 2H,A194 4,A194 8M
7	Blot	A193 B7,A193 B16,A193 B8M
8	Bonnet	1.0619 (A216 WCB), 1.7357 (A217 WC6), 1.4408 (A351 CF8M)
9	Packing	Graphite
10	Gland	1.0619 (A216 WCB), 1.7357 (A217 WC6), 1.4408 (A351 CF8M)
11	Eyelet bolt	A193 B7,A193 B16,A193 B8M
12	Nut	A194 2H,A194 4,A194 8M
13	Grease nipple	Cu alloy
14	Stem nut	GGG40.3;Cu alloy
15	Screw	C.S,SS316
16	Handwheel	C.S

P-T DATA

Material	PN	Working pressure MPa / Working temperature °C Form EN12516-1														
		100	150	200	250	300	350	400	425	450	500	525	550	575	595	
1.0619 (A216 WCB)	16	1.36	1.27	1.14	1.04	0.94	0.88	0.84	-	-	-	-	-	-	-	
	25	2.13	1.98	1.78	1.62	1.47	1.37	1.32	-	-	-	-	-	-	-	
	40	3.41	3.17	2.84	2.60	2.35	2.19	2.11	-	-	-	-	-	-	-	
1.4408 (A351 CF8M)	16	1.33	1.2	1.1	1.02	0.96	0.91	0.87	0.86	0.86	0.83	-	-	-	-	
	25	2.07	1.87	1.72	1.6	1.5	1.42	1.36	1.35	1.34	1.3	-	-	-	-	
	40	3.32	2.99	2.75	2.56	2.41	2.27	2.18	2.16	2.14	2.08	-	-	-	-	
1.7357 (A217 WC6)	16	1.63	1.58	1.49	1.43	1.33	1.23	1.15	1.11	1.07	0.89	0.68	0.35	0.28	0.2	
	25	2.54	2.48	2.33	2.23	2.08	1.93	1.8	1.73	1.67	1.39	1.06	0.55	0.43	0.32	
	40	4.07	3.96	3.74	3.57	3.33	3.09	2.89	2.77	2.67	2.23	1.7	0.88	0.69	0.52	

Note: the temperature not listed in the table is selected by linear interpolation method.

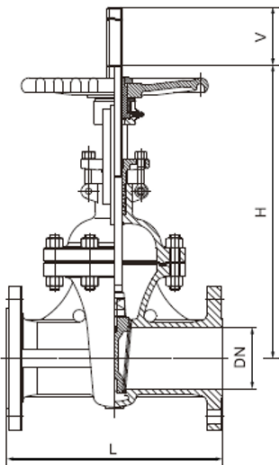
DIMENSIONS - TYPE 02240

PN16

PN25

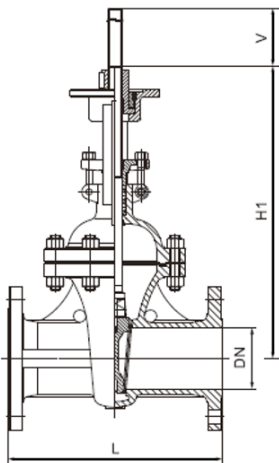
PN16

DN	L mm	H mm	V mm	Weight kg		H1 mm	Torque Nm	Top flange ISO 5210
				FL	BW			
50	250	358	70	22	17	365	25	F10
65	270	375	83	32	27	405	30	F10
80	280	433	96	43	30	425	35	F10
100	300	502	120	52	45	480	40	F10
125	325	612	145	80	68	570	55	F10
150	350	676	170	100	85	650	80	F14
200	400	820	220	140	118	770	140	F14
250	450	969	270	233	216	810	210	F14
300	500	1142	320	337	306	945	300	F16
350	550	1280	366	515	461	1085	400	F16
400	600	1452	417	645	576	1375	590	F25
500	700	1676	518	947	773	1575	780	F25
600	800	1864	620	1458	1208	1835	1280	F25
700	900	2360	690	1953	1823	2360	2200	F25
800	1000	2980	790	3100	2760	2980	2500	F30
900	1100	3509	970	4860	4780	3150	3600	F35
1000	1200	3873	1071	5700	5600	3210	4700	F35



PN25

DN	L mm	H mm	V mm	Weight kg		H1 mm	Torque Nm	Top flange ISO 5210
				FL	BW			
50	250	358	70	22	20	365	25	F10
65	270	375	83	32	26	405	30	F10
80	280	433	96	39	35	425	35	F10
100	300	502	120	51	44	480	50	F10
125	325	608	145	79	69	570	70	F10
150	350	676	170	90	80	650	100	F14
200	400	820	220	150	126	770	180	F14
250	450	969	270	250	211	810	290	F14
300	500	1142	320	360	310	945	420	F16
350	550	1270	366	562	506	1085	580	F16
400	600	1435	417	696	613	1375	850	F25
500	700	1594	512	1021	898	1575	1150	F25
600	800	1964	614	1258	1007	1835	1900	F25
700	900	2690	690	2080	1810	2690	2710	F25
800	1000	3160	790	2960	2496	3160	3900	F25
900	1100	3509	970	4860	4260	3150	5400	F35
1000	1200	3873	1071	5700	5000	3210	7000	F35



DIMENSIONS - TYPE 02240

PN40

PN63

PN100

PN40

DN	L mm	H mm	V mm	Weight kg		H1 mm	Torque Nm	Top flange ISO 5210
				FL	BW			
50	250	397	70	30	25	370	30	F10
65	290	453	83	38	40	410	40	F10
80	310	496	96	52	50	450	50	F10
100	350	568	120	78	70	540	75	F10
125	400	608	145	92	95	640	110	F14
150	450	700	170	136	135	715	180	F14
200	550	848	220	249	215	852	300	F14
250	650	1025	270	361	310	1014	470	F16
300	750	1180	320	570	470	1165	730	F25
350	850	1298	366	717	580	1235	1000	F25
400	950	1435	417	956	740	1420	1280	F30
500	1150	1960	512	1390	1000	1960	2000	F35
600	1350	2265	614	1920	1580	2265	3400	F35

PN63

50	250	418	70	42	35	370	35	F14
65	280	465	83	48	50	410	50	F14
80	310	496	96	57	63	450	70	F14
100	350	582	120	93	81	540	110	F14
125	400	638	145	114	110	630	180	F14
150	450	718	170	198	160	715	260	F14
200	550	916	219	345	293	855	500	F16
250	650	1053	267	482	447	1015	820	F25
300	750	1203	318	588	535	1165	1250	F30
350	850	1278	356	869	690	1235	1500	F30
400	950	1457	404	1134	900	1420	2200	F30
500	1150	2100	493	1390	1130	2060	3400	F35
600	1350	2360	598	1920	1620	2300	6200	F35

PN100

DN	L mm	H mm	V mm	Weight kg		H1 mm	Torque Nm	Top flange ISO 5210
				FL	BW			
50	250	420	70	45	38	372	50	F10
65	280	465	83	58	54	413	70	F10
80	310	496	96	70	75	455	110	F14
100	350	616	120	107	85	544	170	F14
125	400	714	145	140	115	630	280	F14
150	450	773	170	235	170	715	450	F16
200	550	934	219	399	347	855	850	F25
250	650	1090	267	613	513	1015	1450	F25
300	750	1230	318	950	773	1165	1950	F30
350	850	1330	356	1215	725	1235	2700	F30
400	950	1480	404	1480	1102	1420	3600	F35
500	1150	2200	493	1560	1260	2080	6300	F35
600	1350	2480	598	2200	1780	2380	10000	F35