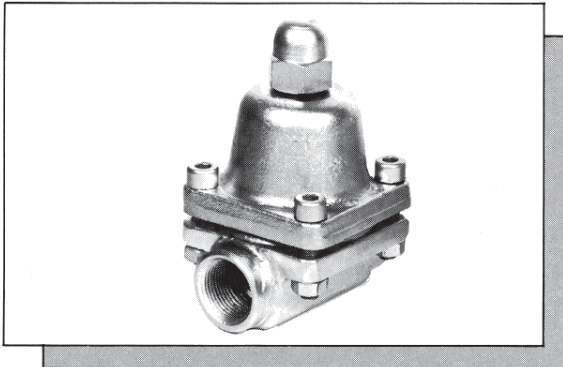


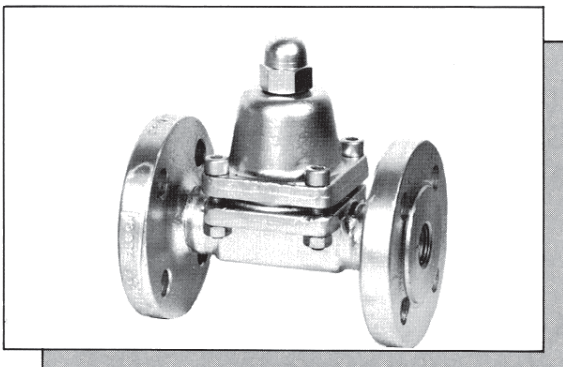
STEAM TRAPS

**Small model: type KSV**

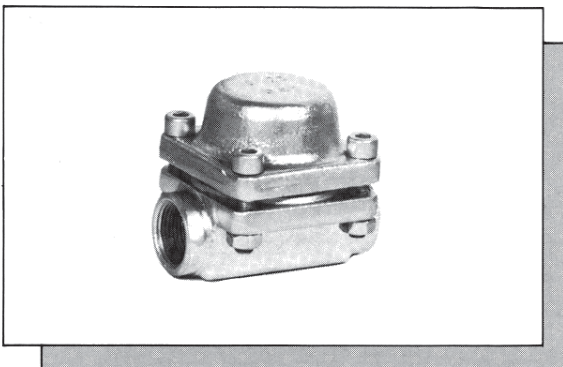
Built-in strainer and external adjusting device for adjusting during operation. Valve functioning as automatic air vent, discharge- and check valve.

This model is especially suitable for small appliances and tracing.

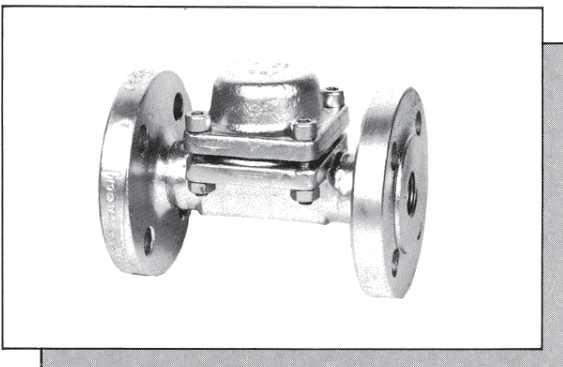
Operating pressure 0-17 bar.

**Small model: type KSV**

Flanged.

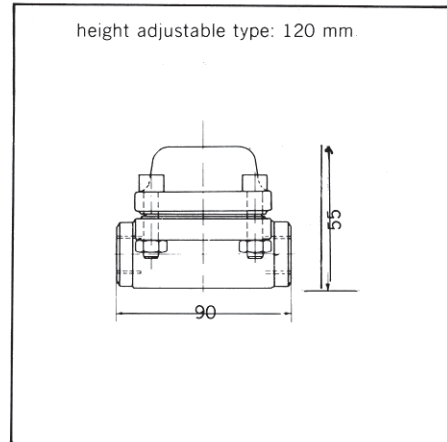
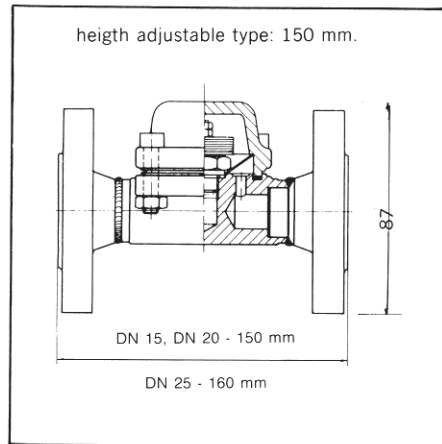
**Small model: type KS**

As type KSV, however, without external adjusting device.

**Small model: type KS**

Flanged.

Dimensions (mm):



End connections : 1/2" and 3/4" screwed NPT/BSP, s.w./b.w.
 flanged DIN DN15, 20 and 25/PN40.
 flanged ANSI 1/2", 3/4" and 1"/150 and 300 lbs

Operating pressure: 0-17 bar.
 Max. temperature :400 °C.

Materials:

Body and bonnet :galvanized carbon steel C22.8 (A.105)
 Internals :stainless steel (valve hardened)
 Gaskets :asbestos-free

Capacity:

