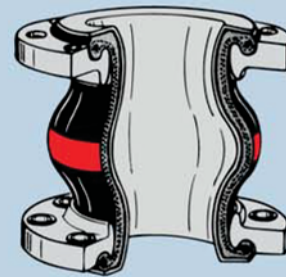
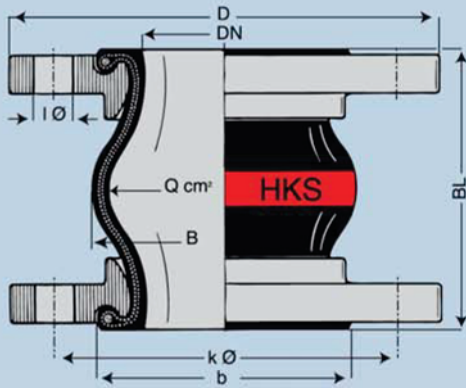


Rubber Expansion Joint HKS
Kumipaljetasaimet
DN 25 - DN 1000



Huippulaatua Saksasta!

Rubber Expansion Joint



Bellow size / Length / Press. nom. DN / BL / PN	Effect. area Q : cm ²	Weight appr. = kg	DIN - Flanges ¹⁾ Measurements mm			Bellow size / Length / Press. nom. DN / BL / PN	Effect. area Q : cm ²	Weight appr. = kg	DIN - Flanges ¹⁾ Measurements mm		
			D	k Ø	l x Ø				D	k Ø	l x Ø
25 / 130 / 16 HKS-R (oder -RS)	10	2,3	115	85	4 x 14	200 / 130 / 10 HKS-R (oder -RS)	400	17,6	340	295	8 x 22
32 / 130 / 16 HKS-R (oder -RS)	15	2,7	140	100	4 x 18	200 / 150 / 10 HKS-R (oder -RS)	400	18,0	340	295	8 x 22
32 / 160 / 16 HKS-R (oder -RS)	15	2,8	140	100	4 x 18	200 / 160 / 10 HKS-R (oder -RS)	400	18,1	340	295	8 x 22
40 / 130 / 16 HKS-R (oder -RS)	20	4,0	150	110	4 x 18	200 / 130 / 16 HKS-R (oder -RS)	400	17,6	340	295	12 x 22
40 / 160 / 16 HKS-R (oder -RS)	20	4,1	150	110	4 x 18	200 / 150 / 16 HKS-R (oder -RS)	400	18,0	340	295	12 x 22
50 / 130 / 16 HKS-R (oder -RS)	30	4,5	165	125	4 x 18	200 / 160 / 16 HKS-R (oder -RS)	400	18,1	340	295	12 x 22
50 / 150 / 16 HKS-R (oder -RS)	30	4,6	165	125	4 x 18	250 / 130 / 10 HKS-R (oder -RS)	600	22,5	395	350	12 x 22
50 / 160 / 16 HKS-R (oder -RS)	30	4,7	165	125	4 x 18	250 / 200 / 10 HKS-R (oder -RS)	600	23,0	395	350	12 x 22
65 / 130 / 16 HKS-R (oder -RS)	50	5,0	185	145	4 x 18	250 / 130 / 16 HKS-R (oder -RS)	600	24,3	405	355	12 x 26
65 / 150 / 16 HKS-R (oder -RS)	50	5,1	185	145	4 x 18	250 / 200 / 16 HKS-R (oder -RS)	600	25,0	405	355	12 x 26
65 / 160 / 16 HKS-R (oder -RS)	50	5,2	185	145	4 x 18	300 / 130 / 10 HKS-R (oder -RS)	800	26,0	445	400	12 x 22
80 / 130 / 16 HKS-R (oder -RS)	85	6,5	200	160	8 x 18	300 / 200 / 10 HKS-R (oder -RS)	800	26,6	445	400	12 x 22
80 / 150 / 16 HKS-R (oder -RS)	85	6,6	200	160	8 x 18	300 / 130 / 16 HKS-R (oder -RS)	800	32,0	460	410	12 x 26
80 / 160 / 16 HKS-R (oder -RS)	85	6,7	200	160	8 x 18	300 / 200 / 16 HKS-R (oder -RS)	800	32,5	160	410	12 x 26
100 / 130 / 16 HKS-R (oder -RS)	125	8,0	220	180	8 x 18	350 / 100 / 10 HKS-R (oder -RS)	1000	26,9	505	460	16 x M20
100 / 150 / 16 HKS-R (oder -RS)	125	8,1	220	180	8 x 18	350 / 200 / 10 HKS-R (oder -RS)	1000	29,5	505	460	16 x 22
100 / 160 / 16 HKS-R (oder -RS)	125	8,2	220	180	8 x 18	400 / 200 / 16 HKS-R (oder -RS)	1375	37,5	565	515	16 x 26
125 / 130 / 16 HKS-R (oder -RS)	185	9,5	250	210	8 x 18	500 / 200 / 16 HKS-R (oder -RS)	2185	47,0	670	620	20 x 26
125 / 150 / 16 HKS-R (oder -RS)	185	9,6	250	210	8 x 18	600 / 200 / 16 HKS-R (oder -RS)	3080	76,0	780	725	20 x 30
125 / 160 / 16 HKS-R (oder -RS)	185	9,7	250	210	8 x 18	700 / 250 / 10 HKS-R (oder -RS)	4800	134,0	895	840	24 x 30
150 / 130 / 16 HKS-R (oder -RS)	250	13,2	285	240	8 x 22	700 / 275 / 10 HKS-R (oder -RS)	4800	134,0	895	840	24 x 30
150 / 150 / 16 HKS-R (oder -RS)	250	13,4	285	240	8 x 22	700 / 300 / 10 HKS-R (oder -RS)	4800	134,0	895	840	24 x 30
150 / 160 / 16 HKS-R (oder -RS)	250	13,5	285	240	8 x 22	800 / 250 / 10 HKS-R (oder -RS)	5440	176,0	1015	950	24 x 33
175 / 100 / 10 HKS-R (oder -RS)	334	13,7	315	270	8 x M20	900 / 300 / 10 HKS-R (oder -RS)	7100	244,0	1115	1050	28 x 33
						1000 / 300 / 10 HKS-R (oder -RS)	8700	289,0	1230	1160	28 x 33

Not suitable for all kinds of mineral oil products, cooling water with added oil-containing corrosion preventatives, oily compressor air.

Tube: Butyl/EPDM compound, non-permeable, elec. conductive

Reinforcement R: Nylon textile cord, EPDM rubberized, non-hardening

Reinforcement RS: Polymer textil cord, hot water proof

Cover: EPDM, ozone proof, warmth resistant, elec. conductive

Stamping: red band, HKS size - DM ... PN 16, production date

Flanges: swiveling, carbon steel, galvanized + yellow chromated

¹⁾ Other flange standards and materials available on request, for example DIN PN 6, PN 25/40, ANSI B 16.5 (ASA 150 lbs.), BS 10 table E, F, H, Flanges of stainless steel 1.4571, brass, bronze or hot galvanized steel.



Zugelassen für Trinkwasser / Approved for drinking water
 Prüfzeugnis vom 29. Juli 1985. Die Innenschicht entspricht den KTW-Empfehlungen D1 und D2 sowie der DIN 7725-1.1 und der BGA-Empfehlung (Chlorzehrung)