

STEAM TRAPS
HD
HD-F22

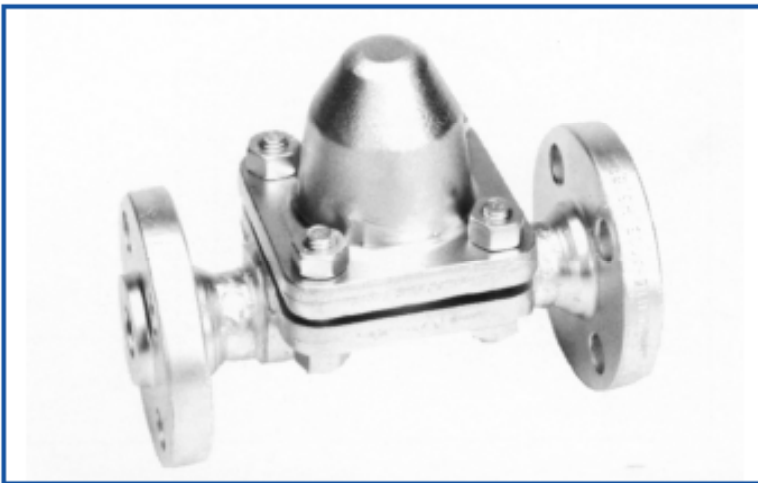
Steam Traps

HD
HD-F22

Special high pressure model: type HD and type HD-F22

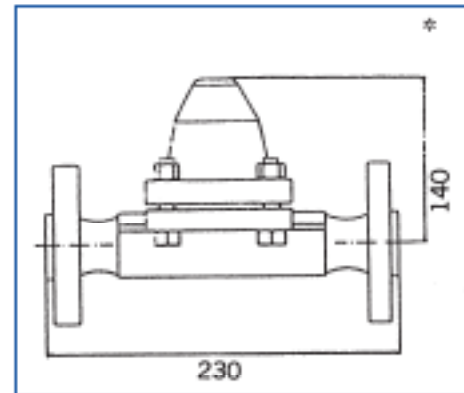
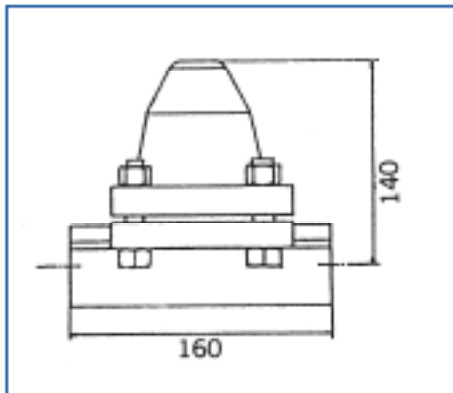
Large built-in strainer. Valve functioning as automatic air vent, discharge- and check valve. Available with flanged ends, bw, sw or threaded ends.

Max pressure HD	80 bar
Max pressure HD-F22	140 bar



Special high pressure model: type HD
As above, however with screwed or socket weld ends.

Dimensions :



End connections:	BW or SW:	1/2" - 3/4" - 1"
	screwed BSP or NPT	1/2" - 3/4" - 1"
	flanged DIN	DN15; DN20; DN25
	ANSI	1/2"; 3/4"; 1"
Max. operating pressure:	HD: 80 bar	(PN100 - ANSI 600 Lbs)
	HD-F22: 140 bar	(PN160 - ANSI 1500 Lbs)

Materials:

Body and Cover	HD: 15Mo3 (comparable ASTM A182 F1)
	HD-F22: 10CrMo9-10 (comparable ASTM A182 F22)
Internals	: several stainless steel.
Valve and seat	: hardened.
Gasket	: graphite/SS

Capacity:

