

# FB Ball valve

## DN50 - 200 PN 16-40 SS-CS


**STANDARD**
**DESIGN**
**FACE TO FACE**
**FLANGED**
**INT. WETTED PARTS**
**TOP FLANGE**
**PED**
**ANTI-STATIC**
**FIRE-SAFE**

DIN 3357

Type FB EN 558-1 Serie 27

EN 1092 Part 1

NACE MR0175

ISO 5211 ACC. Capi spec. ADDS 2.02

97/23/EC module B+D cat. 4

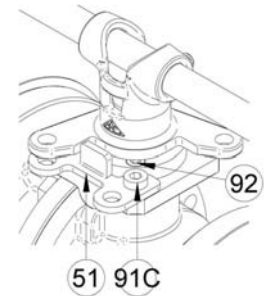
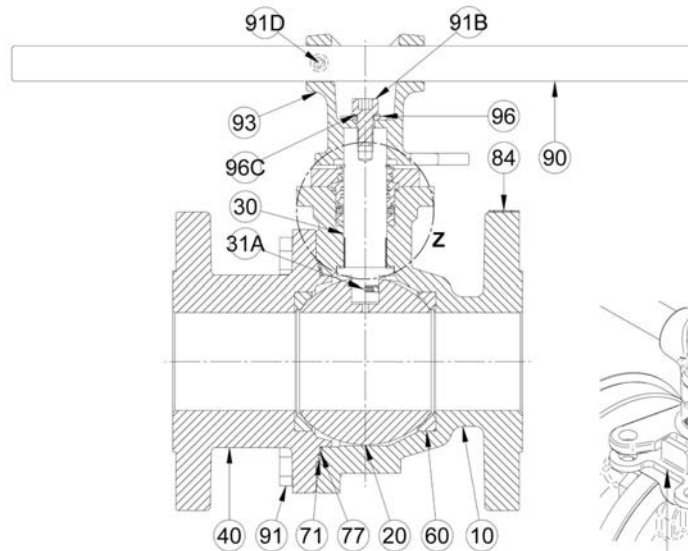
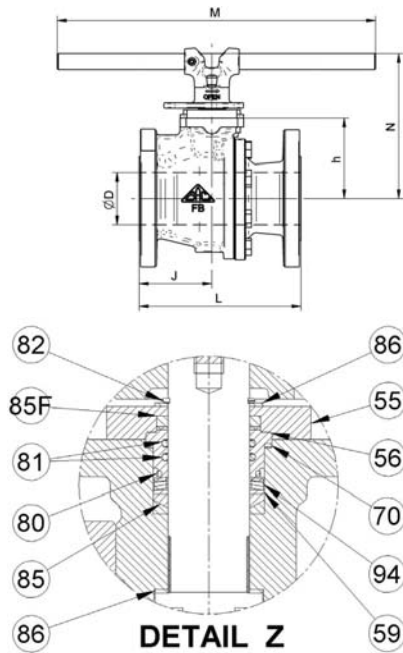
ISO 17292

ISO 10497, API 607 4ed


**Weight kg**

DN	D	J	L	h	M	N	ISO5211	Weight kg	
								PN16	ISO5211
50	50	87	150	89	290	150	F07	-	12,9
65	62	72	170	95,5	290	96	F07	16	16,7
80	76	77	180	117	350	182	F10	22	24
100	100	86	190	135	550	202	F10	31	34
125	120	140	325	174	550	225	F12	56	60,5
150	151	175	350	195	550	304	F12	69	75
200	202	200	400	237	700	378	F14	120	135

Dimensions mm



96C	WASHER DIN 6798.A	1	A2 DIN 267/11	A2 DIN 267/11	
96	WASHER DIN 9021	1	SS 304 (1.4301)	SS 304 (1.4301)	
94	SPRING WASHER	-	ASTM A479 316	ASTM A479 316	
93	WRENCH SUPPORT	1	ASTM A-351 CF8	ASTM A-351 CF8	
92	GLAND BOLT DIN 912	4	A2-70 DIN 267/11	A2-70 DIN 267/11	
91D	WRENCH SUPPORT BOLT	1	A2-70 DIN 267/11	A2-70 DIN 267/11	
91C	STOP PLATE BOLT	2	A2-70 DIN 267/11	A2-70 DIN 267/11	
91B	WRENCH BOLT	1	A2-70 DIN 267/11	A2-70 DIN 267/11	
91	BODY CONNECTOR BOLT	-	A4-70 ISO 3506	A4-70 ISO 3506	
90	WRENCH TUBE	1	ASTM A479 304	CS + ZINC	
86	AXIAL BEARING	2	PTFE VIRGIN	PTFE VIRGIN	✓
85F	FIRESAFE STEM SEAL	1	GRAPHITE	GRAPHITE	✓
85	GLAND PACKING	1	PTFE MOD.	PTFE MOD.	✓
84	ID PLATE	1	SS 316 (1.4401)	SS 316 (1.4401)	
82	CIRCLIP	1	SS 316 (1.4401)	SS 316 (1.4401)	
81	STEM O-RING	1	VITON PTFE COATING	VITON PTFE COATING	✓
80	GUIDE O-RING	1	VITON B90	VITON B90	✓
77	BODY SEAL	1	PTFE VIRGIN	PTFE VIRGIN	✓
71	FIRESAFE BODY SEAL	1	GRAPHITE	GRAPHITE	✓
70	FIRESAFE TOP SEAL	1	GRAPHITE	GRAPHITE	✓
60	SEAT	2	PTFE MOD.	PTFE MOD.	✓
59	WAHER GUIDE	1	ASTM A479 316	ASTM A479 316	
57	GUIDE RING	1	ASTM A479 316	ASTM A479 316	
56	FOLLOWER	1	ASTM A479 316	ASTM A479 316	
55	GLAND PLATE	1	ASTM A479 304	CS + BLACK FINISHED	
51	INDICATOR	1	ASTM A479 304	ASTM A479 304	
40	BODY CONNECTOR	1	EN 10213-4 1.4408	EN 10213-2 1-0619 / DIN 17243 1.0460	
31A	ANTI-STATIC DEVICE	2	ASTM A479 316	ASTM A479 316	
30	STEM	1	ASTM A479 316	ASTM A479 316 / 304	
20	BALL	1	ASTM A351 CF8M	ASTM A351 CF8M / CF8	
10	BODY	1	EN 10213-4 1.4408	EN 10213-2 1-0619 / DIN 17243 1.0460	
POS.	DENOMINATION	QTY.	MATERIAL SS	MATERIAL CS	SPARE PARTS

DN 50 (2"), 65, 80 (3"), 100 (4"), 125, 150 (6"), 200 (8")

