

SERIE 11  
 114147  
 1113

# Check valves with threaded ends, stainless steel

Nominal diameter options (DN) 8-50  
 Nominal pressure options (PN) 40-63  
 Maximum working temperature (°C) 180 °C

TYPE 114147 - PTFE seats and seal

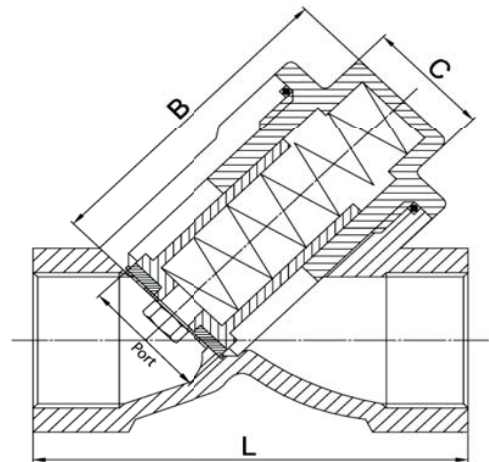


TYPE 1113 - Metal seats and seal



## TYPE 114147 - FEATURES

- Screwed-in cap, piston type
- Full bore, PTFE disc, st.st. spring
- f/f thread ISO 228-1G or ANSI B1.2.0.1 (NPT)
- Nominal pressure NB 8 (1/4") - NB 25 (1") : PN 63
- Nominal pressure NB 32 (1.1/4") - NB 50 (2") : PN 40
- PTFE seats and seals
- Working temperature -20°C upto 180°C

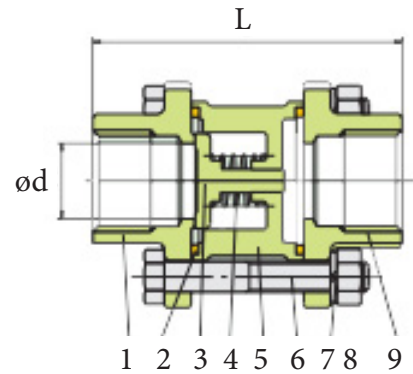


## DIMENSIONS - 114147

Inch	DN	Port mm	L mm	B mm	C mm	Weight kg
1/4"	8	11	65	46	19	0,30
3/8"	10	13	65	46	19	0,20
1/2"	15	15	65	46	19	0,30
3/4"	20	20	80	58	23	0,40
1"	25	25	90	69	27	0,80
1" 1/4	32	32	105	75	32	1,00
1" 1/2	40	38	120	85	41	1,50
2"	50	50	140	98	50	2,20

TYPE 1113- FEATURES

- Nominal diameter DN15-50 (1/2"-2")
- Nominal pressure PN63
- Working temperature -20°C...+180°C
- Investment casting
- Thread end: ASME B1.20.1 (NPT)  
DIN 259/ DIN 2999, BS 21,  
ISO 288-1, ISO 7-1



DIMENSIONS - 1113

Inch	DN	d mm	L mm
1/2"	15	14	70
3/4"	20	19	77
1"	25	24	90
1" 1/4	32	31	100
1" 1/2	40	38	112
2"	50	49	125

MATERIALS AND PARTS - 1113

No.	Part	Material		
		WCB	CF8	CF8M
1	Bonnet	WCB	CF8	CF8M
2	Gasket	PTFE		
3	Disc	CF8	CF8	CF8M
4	Spring	304	304	316
5	Body	WCB	CF8	CF8M
6	Bolt	304		
7	Spring washer	304		
8	Nut	304		
9	Bonnet	WCB	CF8	CF8M