

SERIE 11
110R

Tilting disc check valve

Nominal diameter options (DN) 40-900
Nominal pressure options (PN) 10-16-25-40



FEATURES

- Suitable for all the standard flanges
- Short Face to Face
- Excellent tightness according to API 598
- Low pressure drop and opening pressure
- Quick closing reaction (oblique seating) which reduces water hammer
- As an option auxiliary spring increases the closing reaction

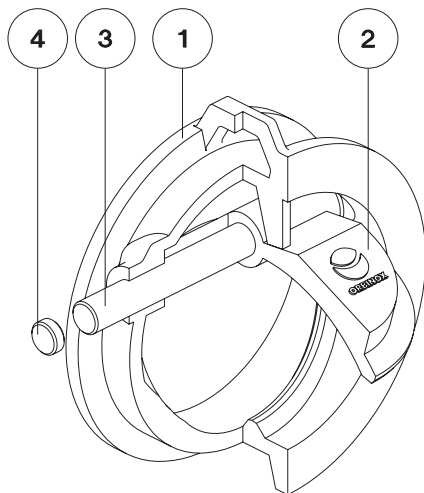
APPLICATIONS

Pulp and Paper, Wastewater treatment plants, food and beverage etc.

WORKING PRESSURE

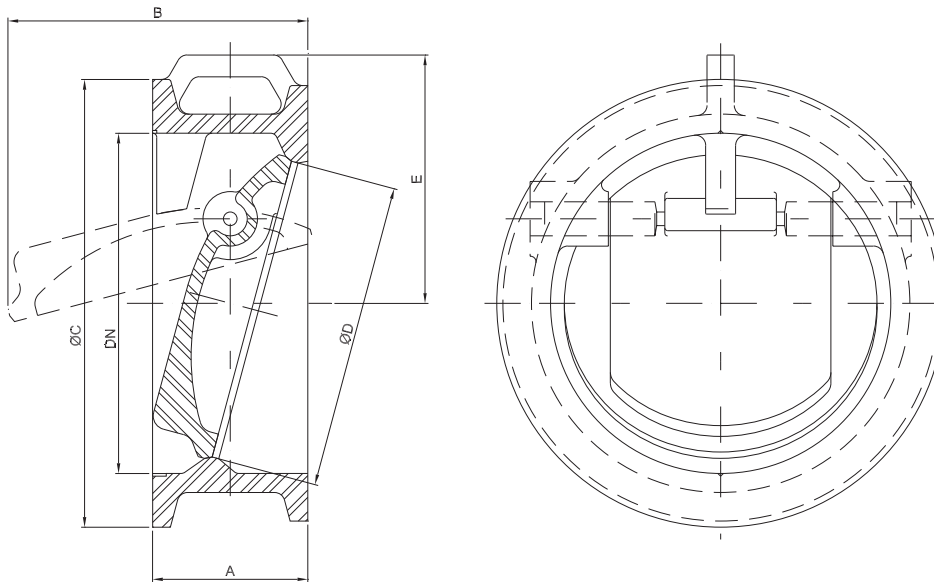
DN 40 to DN 300: 40 kg/cm²
DN 350 to DN 600: 25 kg/cm²
DN 700 to DN 900: 10 kg/cm²

MATERIALS AND PARTS



PART	MATERIAL
1. Body	CF8M
2. Disc	CF8M
3. Shaft	AISI-316
4. Cover	AISI-316

DIMENSIONS



DN	A	B	Ø (PN10/16/25/40-ANSI150)	ØD	E	Weight (kg.)
40	33	45	84	34	-	0,8
50	43	54	102,5	44	-	1
65	46	64	121,5	58	-	2
80	64	85	134,5	72	-	3
100	64	98	162	90	-	4,5
125	70	116,5	192	112	-	6,5
150	76	136	219	135	-	7,5
200	89	222,5	273	180	155	15
250	114	221	329	225	182,5	26,5
300	114	251	378	270	210	33,5
350	127	294	438	315	240	54
400	140	340	489	365	275	65,5
450	152	370	540	410	300	92
500	152	405	594	460	325	110
600	178	497	696	555	390	178
700	229	616	800	650	460	245
750	229	613	880	650	485	310
800	241	675	917	745	515	385
900	241	750	1012	835	562	445

Tilting disc check valve

SERIE 11



PRESSURE LOSS TABLE

