

Globe valves with butt-welding ends

SERIE 01
 A) 016490 STEEL
 B) 011430BWF STEEL

Nominal diameter options (DN) 15-250
 Nominal pressure options (PN) 25-40-50
 Maximum working temperature 650°C



016490



011430BWF

All globe valves correspond to the pressure equipment directive 97/23/EC.

Material options:
 Variable steel materials

FEATURES

Fig. number	Body material	Nominal pressure PN	Nominal diameter DN	Max. temperature
016490	A) STEEL	PN25 PN500	DN15-50	650 °C
011430BWF	B) STEEL	PN40	DN15-250	400 °C

* Globe valve can be equipped with hydraulic, pneumatic or electric actuator.
 Ask more from Econosto Oy sales personnel.

MATERIALS AND PARTS

A) 016490

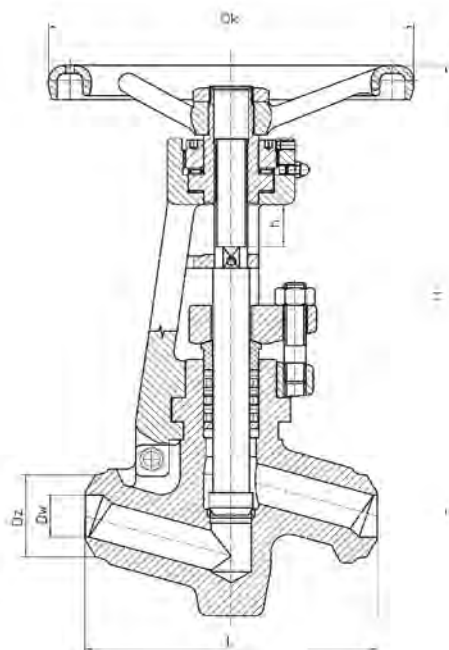
Versions: Standard, A, B, C, U

Part	Standard Tmax 450 °C	Version 016490A Tmax 550 °C	Version 016490B Tmax 580 °C	Version 016490C Tmax 650 °C	Version 016490U Tmax 530 °C
Body	P250 GH (1.0460)	X30Cr13 Mo4-5 (1.7335)	11CrMo9-10 (1.7383)	X10CrMoVNb9-1 (P91; 1.4903)	16Mo3 (1.5415)
Bonnet DN 15-25	P250GH	11CrMo9-10	11CrMo9-10	X10CrMoVNb9-1	11CrMo9-10
Bonnet DN 32-50	GP240GH	GX17CrNi16-2Mo5-5	GX17CrNi16-2Mo5-5	-	GX- 17CrNi16-2Mo5-5
Stem	X30Cr13	X39CrMo17-1	X39CrMo17-1	X7CrMoB- Nb16-16	X39CrMo17-1
Disc seat	X30Cr13	Stellit	Stellit	Stellit	Stellit
Body seat	Skwam-IG	Stellit	Stellit	Stellit	Stellit
Packing	Graphite	Graphite	Graphite	Graphite	Graphite

APPLICATION RANGE - 016490

Max. operating pressure at medium temperature [°C]

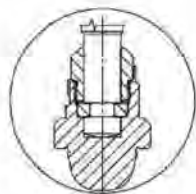
Nominal pres- sure PN [bar]	100 °C	300 °C	400 °C	450 °C	500 °C	510 °C	530 °C	550 °C
P250GH	PN 320 PN 500	PN 308 PN 400	PN 216 PN 320	PN 132 PN 235	- -	- -	- -	- -
13CrMo4-5	PN 320 PN 500	PN 320 PN 500	PN 320 PN 500	PN 320 PN 500	PN266 PN 383	PN 223 PN 324	PN 150 PN 218	PN 93 PN 137
16Mo3	PN 320 PN 500	PN 320 PN 500	PN 298 PN 453	PN 288 PN 437	PN 179 PN 290	PN 136 PN 231	PN 86 PN 146	- -
Nominal pres- sure PN [bar]	450 °C	500 °C	510°C	530 °C	550 °C	580 °C	600 °C	620 °C 640 °C 650 °C
11CrMo9-10	PN 320 PN 500	PN 286 PN 421	PN 250 PN 368	PN 188 PN 281	PN 138 PN 212	PN 88 PN 137	- -	- -
X10CrMoVNb9-1	PN 500	PN 500	PN 500	PN 500	PN 453	PN 359	PN 281	PN 212 PN 181 PN 137



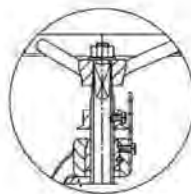
DIMENSIONS

A) 016490

Versions: Standard, A, B, C, U



Regulating disc



Position indicator

DN	Dw			Dz			L	H	h	Dk	KG
	PN250	PN320	PN500	PN250	PN320	PN500					
mm											
15	16,0	15,0	16,5	22	22	32	160	275	20	200	8,0
20	20,0	20,0	20,0	27	28	38	160	275	20	200	8,0
25	26,5	24,0	23,5	35	35	47	160	275	20	200	8,0
32	30,0	30,0	30,3	40	40	58	250	365	25	320	28,5
40	38,5	36,0	33,5	49	49	66	250	365	25	320	28,0
50	45,0	49,5	45,0	61	77	86	250	365	25	320	27,5

MATERIALS AND PARTS

B) 011430BWF

Versions: Standard, for marine industry, stainless steel 1.4312, stainless steel 1.4408

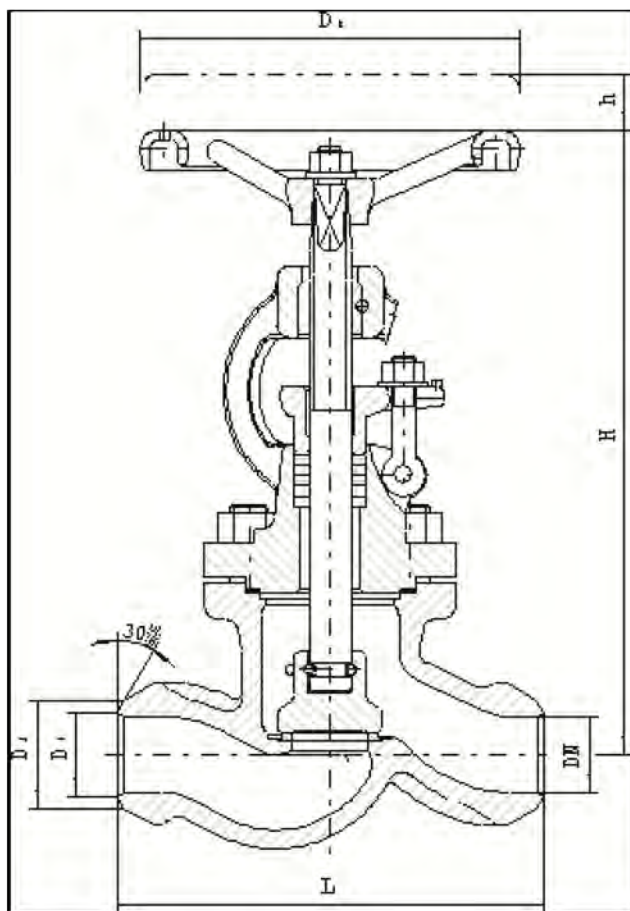
Part	Standard	Marine service	Stainless steel	Stainless steel
Body	1.0619	1.0619	1.4312	1.4408
Body seat DN 15-25 DN 32-200	17Cr 18-8 Cr-Ni	17Cr 18-8 Cr-Ni	18-8 Cr-Ni 18-8 Cr-Ni	18-8 Cr-Ni 18-8 Cr-Ni
Bonnet DN 15-50 DN 65-250	1.0460 1.0619	1.0460 1.0619	1.4312 1.4312	1.4408 1.4408
Stem	13Cr	17Cr	18-8 Cr-Ni	18-8 Cr-Ni
Disc seat DN15-50 DN65-80 DN100-250	13Cr 13Cr 18-8 Cr-Ni	17Cr 18-8 Cr-Ni 18-8 Cr-Ni	18-8 Cr-Ni 18-8 Cr-Ni 18-8 Cr-Ni	18-8 Cr-Ni 18-8 Cr-Ni 18-8 Cr-Ni
Packing	Graphite	Graphite	Graphite	Graphite

APPLICATION RANGE - 011430BWF

Max. operating pressure at medium temperature [K]

Nominal pressure [bar]	263 up to 393 K (-10 to 120 °C)	473 K (200 °C)	523 K (250 °C)	573 K (300 °C)	623 K (350 °C)	673 K (400 °C)
1.0619	40 bar	35 bar	32 bar	28 bar	24 bar	21 bar
1.4312	40 bar	26 bar	21 bar	-	-	-
1.4408	40 bar	26 bar	24 bar	23 bar	-	-

* for stainless steel performance (A) Tmax for material:
1.4312 from -60°C up to +250°C; 1.4408 from -196°C up to +300°C



DIMENSIONS

B) 011430BWF

Versions: Standard, for marine industry, stainless steel

DN	D1	D2	L	H	h	Dk	KG
mm							
15	17	24	130	170	14	120	2,2
20	22	31	150	170	14	120	2,3
25	28,5	37	160	170	14	120	2,4
32	35	46	180	260	13	160	7,5
40	44	54	200	270	22	160	8,5
50	54,5	67	230	275	25	160	10,3
65	70	83	290	320	25	200	21,4
80	82	96	310	370	27	250	26
100	105	121	350	405	37	320	50
125	132	147	400	436	58	280	63
150	159	176	480	496	70	320	91
200	208	228	600	576	92	400	172
250	257	282	730	665	110	500	275