

SERIE 04  
 04143PTFE

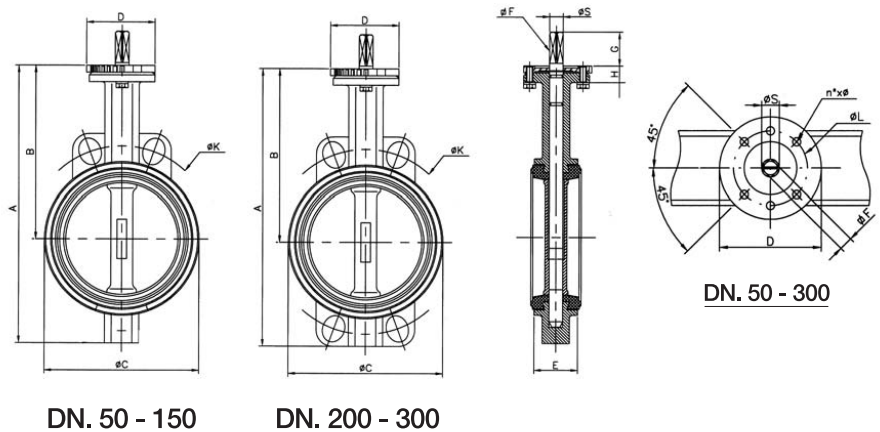
# Butterfly valves, teflon, wafer type

Nominal diameter options (DN) 50-300  
 Nominal pressure options (PN)10-16



This kind of butterfly valve is focused where the highest security is essential. It is ideal for highly corrosive and abrasive applications when resilient liners are not adequate. PTFE seats with silicone pad and stainless steel disc encapsulated in PFA. Available only in wafer version.

APPLICATIONS:  
 For aggressive fluids (acids, lye)  
 Chemical industry



DN		DIMENSIONS															
mm	inch	A	B	C	D	E	øF	G	H	K	K (1) PN10	K (1) PN16	L	øS	n x ø		KG
50	2"	217	155	98	90	43	8	30	24	125	2	2	70	10	6	9	3,00
65	2" 1/2	238	160	116	90	46	11	30	24	145	2	2	70	14	6	9	3,70
80	3"	256	168	135	90	46	11	30	24	160	2	2	70	16	6	9	4,00
100	4"	288	188	158	90	52	11	30	24	180	2	2	70	16	6	9	5,25
125	5"	320	206	190	90	56	14	30	24	210	2	2	70	18	6	9	7,50
150	6"	350	215	214	90	56	14	30	24	240	2	2	70	18	6	9	8,90
200	8"	440	255	272	90	60	17	30	24	295	4	4	70	22	6	9	12,50
250	10"	452	255	327	135	68	22	40	22	*350/355	4	4	102	30	4	11	22,50
300	12"	522	288	377	135	78	22	40	22	*400/410	4	4	102	30	4	11	29,60