

SERIE 12
 12223
 1244

Bronze strainers with screwed ends (page 1)/ with flanged ends (page 2)

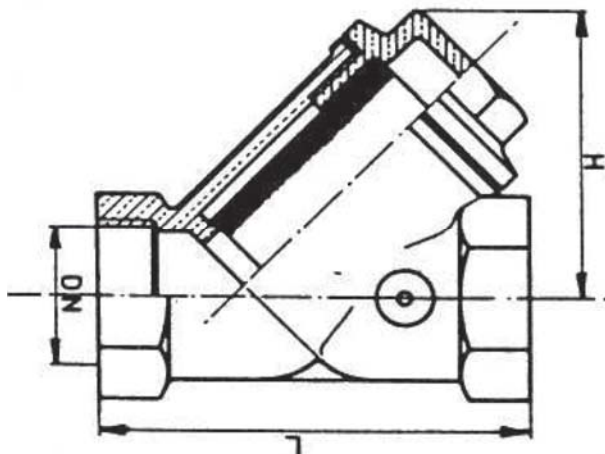
STRAINER TYPE 12223 - Bronze strainer with screwed ends

Size range: 3/8" - 2"
 Pressure: PN20
 Material: Bronze

Size range: 2 1/2" - 4"
 Pressure: PN16
 Material: Bronze



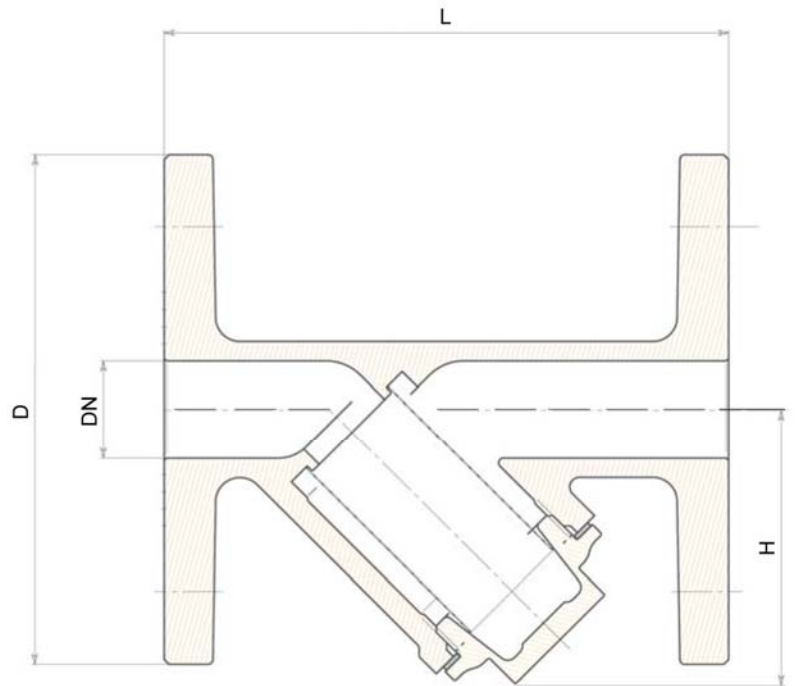
Bronze strainer with stainless steel filtering element.



DN	L	H	KG
3/8	55	40	0,19
1/2	58	40	0,4
3/4	70	50	0,35
1"	87	60	0,48
1" 1/4	96	68	0,83
1" 1/2	106	75	0,94
2"	126	90	1,50
2" 1/2	145	100	2,35
3"	165	118	3,70
4"	215	170	6,65

STRAINER TYPE 1244 - Bronze y-type strainer with flanged ends

Size range: DN15-100
 Pressure: PN16
 Material: Body - bronze RG5
 Filter - AISI-3116



DN	L	H	D	Kg
15	105	45	95	1,7
20	115	55	105	2,0
25	140	60	115	2,5
32	145	70	140	4,2
40	170	85	150	5,2
50	185	95	165	6,8
65	205	115	185	8,8
80	220	130	200	10,5
100	255	155	220	14,0