

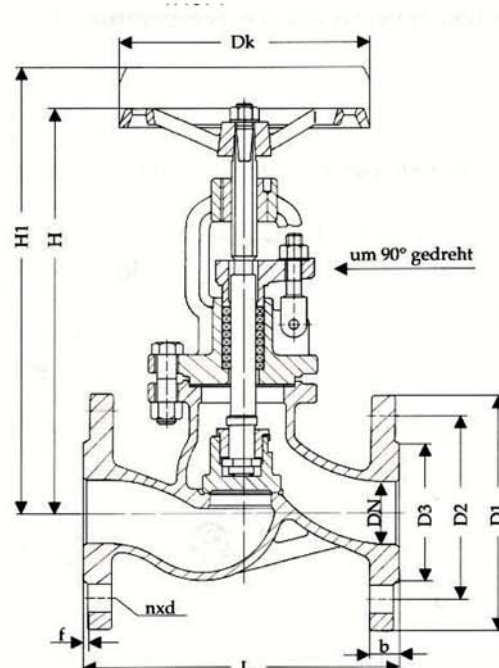
Type 2053

Globe valve, flanged end

straight stop-valves, PN 40
 complete in stainless steel, DIN 86251-01
 face to face acc. to DIN 3202/EN 558 F1/F32
 flanges acc. to DIN PN 40
 working pressure and
 temperature acc. to DIN 2401

material specification:

	article:	017140	017150
body:	stainless steel	1.4308	1.4408
bonnet:	stainless steel	1.4308	1.4408
seat:	stainless steel	1.4308	1.4408
disc:	stainless steel	1.4541	1.4571
stem:	stainless steel	1.4541	1.4571



Type 017140 (Material 1.4308)
 Type 017150 (Material 1.4408)

NW/DN	L	D1	D2	Holes	H	H1	DK	KG
15	130	95	65	4 x 14	190	198	120	3,8
20	150	105	75	4 x 14	230	240	120	5,4
25	160	115	85	4 x 14	230	240	140	6,0
32	180	140	100	4 x 18	235	255	140	8,3
40	200	150	110	4 x 18	265	290	160	11
50	230	165	125	4 x 18	285	310	160	14
65	290	185	145	8 x 18	285	315	180	18
80	310	200	160	8 x 18	310	350	200	27
100	350	235	190	8 x 22	340	370	225	38
125	400	270	220	8 x 26	405	445	225	66
150	480	300	250	8 x 26	470	520	300	104

Several special executions possible on request.