

SERIE 03
 03233
 0319
 03F14D

Flanged ball valves AISI-316/Steel

Nominal diameter options (DN) 15-300
 Nominal pressure options (PN) 16-40
 Maximum working temperature 220°C



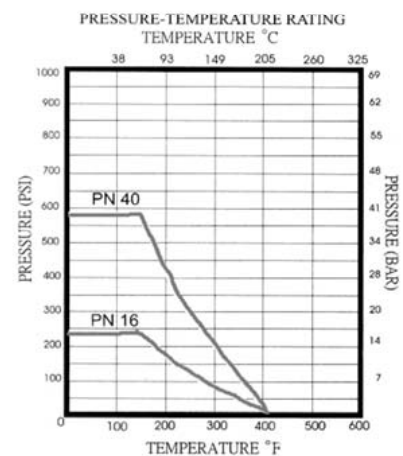
TYPE 03233 - 0319

- 2 piece, full-bore
- Flanged ends
- Blow-out proof stem
- PN16-40
- 15% glassfiber filled PTFE reinforce seat
- Mounting pad ISO5211
- **Fire safe**
- Anti-static device
- Face to face DIN 3202 F4

- Also available ANSI 150/300 model

DIMENSIONS

DN	d	L			W	H	Torque N-M		Kv
		F1	F4	F5			Breakaway	Action	
15	15	130	115	-	165	66	4	3	30
20	20	150	120	-	165	74	5	4	59
25	25	160	125	-	200	87	6	5	80
32	32	180	130	-	200	92	10	8	137
40	38	200	140	-	250	105	29	20	246
50	50	230	150	-	265	115	35	24	386
65	64	290	170	-	390	153	41	27	497
80	76	310	180	-	390	162	64	39	821
100	100	350	190	-	390	179	80	49	1404
125	125	-	-	325	1000	225	149	85	3276
150	150	-	-	350	1000	274	172	95	3861
200	200	-	-	400	1000	302	412	245	10530
250	250	-	-	450	1000	348	698	387	21645
300	300	-	-	500	1000	388	931	505	27823

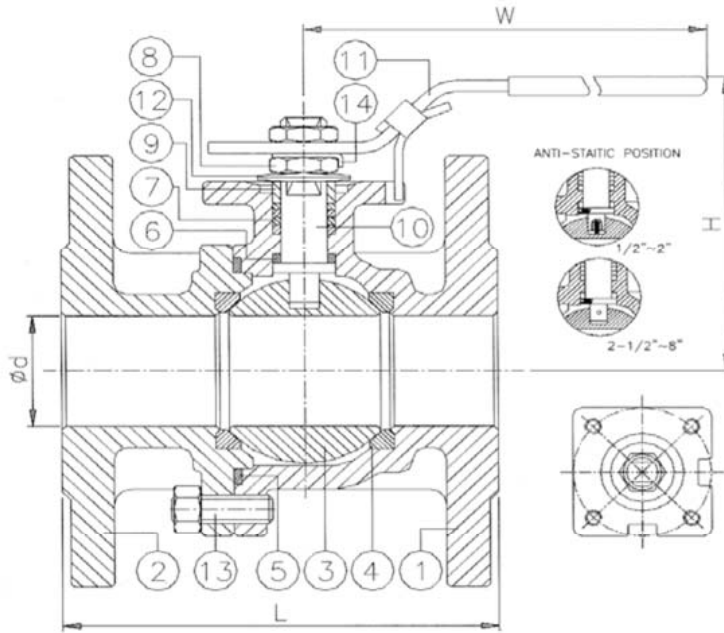


* Ball valve can be equipped with hydraulic, pneumatic or electric actuator.
 Ask more from Econosto Oy sales personnel.

PART LIST

TYPE 03233

TYPE 0319



	Part	Material
1	Body	AISI-316 / CF8M
2	Cap	AISI-316 / CF8M
3	Ball	AISI-316 / CF8M
4	Seat	R-PTFE*
5	Body seal	PTFE
6	Thrust washer	PTFE
7	Packing	PTFE
8	Stem nut	AISI 304
9	Gland ring	AISI 305
10	Stem	AISI-316
11	Handle	AISI 304
12	Disc spring	AISI 301
13	Stud and nut	AISI 304
14	Lock washer	AISI 304

*R-PTFE = PTFE / 15% Glassfiber filled PTFE

TYPE 03F14D

DN50 - 200
PN 16-40
SS-CS

Design	DIN 3357
Face to face	EN 558-1
Flanged	EN 1082 Part 1
Int. wetted parts	NACE MR0175
Top flange	ISO5211 ACC. Capi spec. ADDS 2.02
PED	97/23/EC module B+D cat. 4
Anti-static	ISO 17292
Fire safe	ISO 10497, API 607 4ed



DN	D	J	L	h	M	N	ISO5211	Weight kg	
								PN16	ISO5211
50	50	87	150	89	290	150	F07	-	12,9
65	62	72	170	95,5	290	96	F07	16	16,7
80	76	77	180	117	350	182	F10	22	24
100	100	86	190	135	550	202	F10	31	34
125	120	140	325	174	550	225	F12	56	60,5
150	151	175	350	195	550	304	F12	69	75
200	202	200	400	237	700	378	F14	120	135

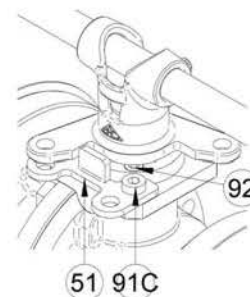
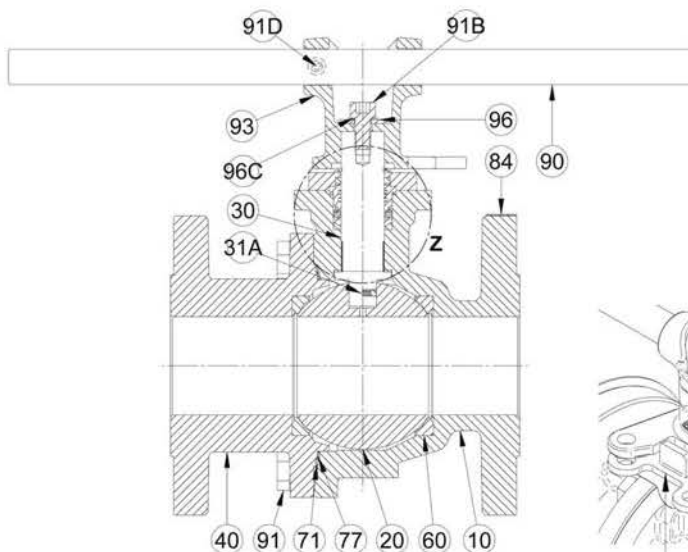
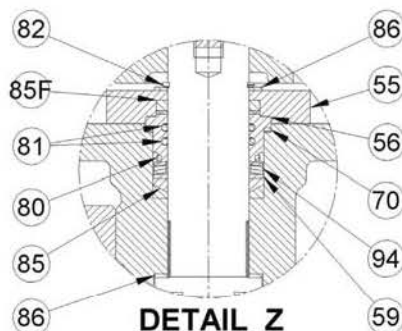
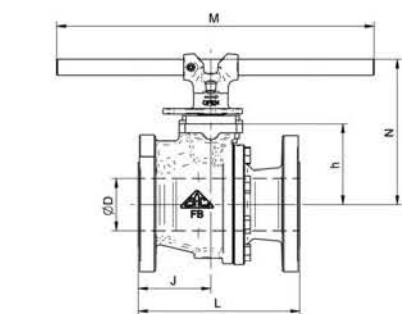
Dimensions mm

Flanged ball valves AISI-316/Steel

SERIE 03



TYPE 03F14D



96C	WASHER DIN 6798.A	1	A2 DIN 267/11	A2 DIN 267/11	
96	WASHER DIN 9021	1	SS 304 (1.4301)	SS 304 (1.4301)	
94	SPRING WASHER	-	ASTM A479 316	ASTM A479 316	
93	WRENCH SUPPORT	1	ASTM A-351 CF8	ASTM A-351 CF8	
92	GLAND BOLT DIN 912	4	A2-70 DIN 267/11	A2-70 DIN 267/11	
91D	WRENCH SUPPORT BOLT	1	A2-70 DIN 267/11	A2-70 DIN 267/11	
91C	STOP PLATE BOLT	2	A2-70 DIN 267/11	A2-70 DIN 267/11	
91B	WRENCH BOLT	1	A2-70 DIN 267/11	A2-70 DIN 267/11	
91	BODY CONNECTOR BOLT	-	A4-70 ISO 3506	A4-70 ISO 3506	
90	WRENCH TUBE	1	ASTM A479 304	CS + ZINC	
86	AXIAL BEARING	2	PTFE VIRGIN	PTFE VIRGIN	✓
85F	FIRESAFE STEM SEAL	1	GRAPHITE	GRAPHITE	✓
85	GLAND PACKING	1	PTFE MOD.	PTFE MOD.	✓
84	ID PLATE	1	SS 316 (1.4401)	SS 316 (1.4401)	
82	CIRCLIP	1	SS 316 (1.4401)	SS 316 (1.4401)	
81	STEM O-RING	1	VITON PTFE COATING	VITON PTFE COATING	✓
80	GUIDE O-RING	1	VITON B90	VITON B90	✓
77	BODY SEAL	1	PTFE VIRGIN	PTFE VIRGIN	✓
71	FIRESAFE BODY SEAL	1	GRAPHITE	GRAPHITE	✓
70	FIRESAFE TOP SEAL	1	GRAPHITE	GRAPHITE	✓
60	SEAT	2	PTFE MOD.	PTFE MOD.	✓
59	WAHER GUIDE	1	ASTM A479 316	ASTM A479 316	
57	GUIDE RING	1	ASTM A479 316	ASTM A479 316	
56	FOLLOWER	1	ASTM A479 316	ASTM A479 316	
55	GLAND PLATE	1	ASTM A479 304	CS + BLACK FINISHED	
51	INDICATOR	1	ASTM A479 304	ASTM A479 304	
40	BODY CONNECTOR	1	EN 10213-4 1.4408	EN 10213-2 1-0619 / DIN 17243 1.0460	
31A	ANTI-STATIC DEVICE	2	ASTM A479 316	ASTM A479 316	
30	STEM	1	ASTM A479 316	ASTM A479 316 / 304	
20	BALL	1	ASTM A351 CF8M	ASTM A351 CF8M / CF8	
10	BODY	1	EN 10213-4 1.4408	EN 10213-2 1-0619 / DIN 17243 1.0460	
POS.	DENOMINATION	QTY.	MATERIAL SS	MATERIAL CS	SPARE PARTS

