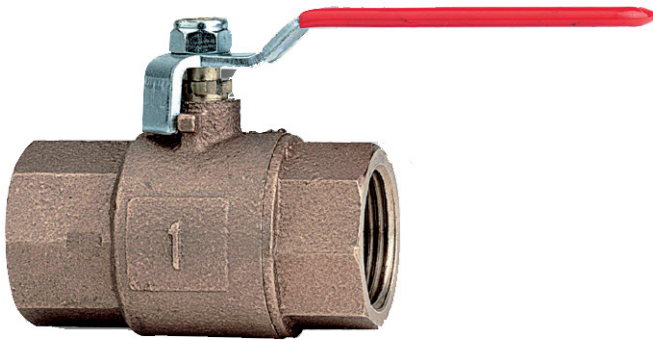


SERIE 03
 03203

Ball valves with threaded ends, bronze

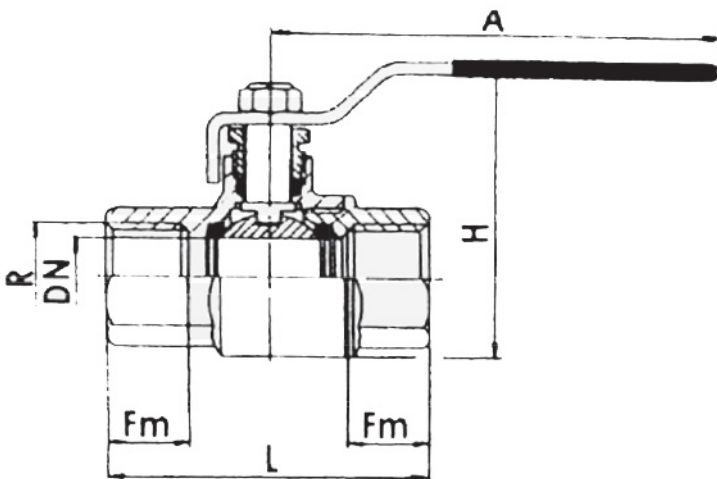
Nominal diameter options (DN) 8-100



TYPE 03203

Ball valve, full bore
 Bronze

DIMENSIONS



SIZE	A	L	H	KG
1/4"	85	51	61	0,20
3/8"	85	51	61	0,25
1/2"	85	62	61	0,30
3/4"	104	70	76	0,36
1"	104	85	81	0,62
1" 1/4	122	99	104	1,00
1" 1/2	122	110	113	1,30
2"	153	134	137	2,50
2" 1/2	200	142	171	3,40
3"	280	178	201	6,70
4"	280	210	237	10,60

* Ball valve can be equipped with hydraulic, pneumatic or electric actuator. Ask more from Econosto Oy sales.