

SERIE 03
0316
0326

Ball valves with threaded ends stainless steel

Nominal diameter options (DN) 15-100



TYPE 0316
two way, 1 piece
body. Page 2.



TYPE 0326
two way, 2 pieces
body. Page 3.

FEATURES

Applications: Suitable for chemical and industrial plants, for heating and conditioning (HVAC), district heating, agricultural applications, oils and hydrocarbons.

Directive: In conformity with directive 97/23/CE PED

Construction and testing norms (correspondences):
Threading: ISO 228-1, BS (BSP).
Design: EN13445, ISO 5211
Testing: EN 12266 cat. A (ISO 5208 cat. A)

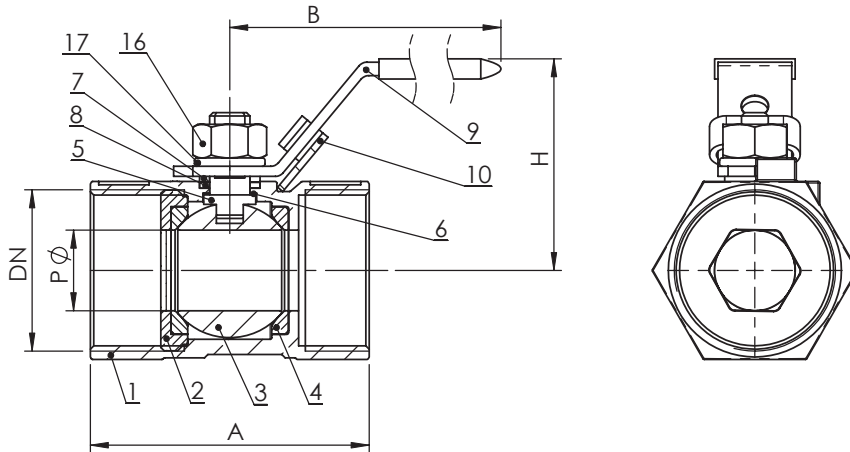
Maintenance free

* Ball valve can be equipped with hydraulic, pneumatic or electric actuator. Ask more from Econosto Oy sales.

Ball valves with threaded ends
Stainless steel

SERIE 03

TYPE 0316 - Two way ball valve, 1 piece body



Materials

	Component	Material
1	Body	AISI 316
2	Liner	AISI 316
3	Ball	AISI 316
4	Ball seat	Reinforced PTFE
5	Stem	AISI 316
6	Sliding washer	PTFE
7	Ring	AISI 304
8	Stem seal	PTFE
9	Lever	AISI 304 with plastic sleeve
10	Lock device	AISI 304
16	Nut	AISI 304
17	Spring washer	AISI 301

Dimensions (mm)

DN	1/4"	3/8"	1/2"	3/4"	1"	1" 1/4"	1" 1/2"	2"
P	5	7	9	12,5	15	20	25	32
A	40	45	58	60	72	78	82	100
B	67	67	93	93	103	103	125	125
H	33	36	37	42	52	56	65	70

Weight (kg)

A3.622	0,09	0,12	0,19	0,28	0,39	0,58	0,85	1,35
--------	------	------	------	------	------	------	------	------

Operating torque (Nm)

Nm	2	2	3	3	4	5	7	9
----	---	---	---	---	---	---	---	---

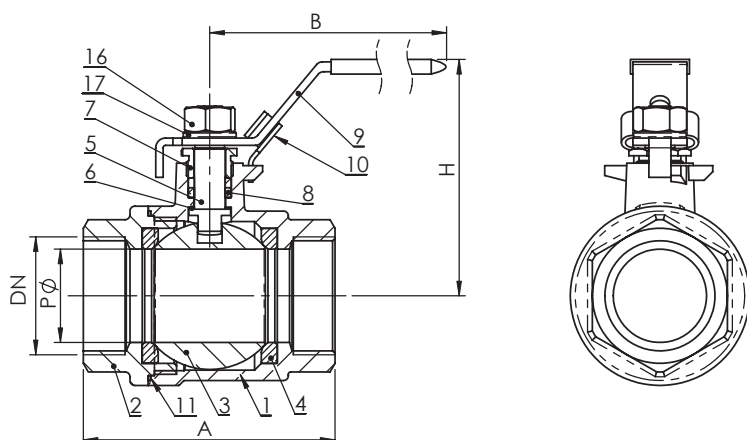
N.B.: In order to choose the right actuator, we recommend multiplying the operating torque figure by a safety coefficient, K=1.5

Ball valves with threaded ends Stainless steel

SERIE 03



TYPE 0326 - Two way ball valve, 2 pieces body



Materials

	Component	Material
1	Body	AISI 316
2	Liner	AISI 316
3	Ball	AISI 316
4	Ball seat	Reinforced PTFE
5	Stem	AISI 316
6	Sliding washer	PTFE
7	Ring	AISI 304
8	Stem seal	PTFE
9	Lever	AISI 304 with plastic sleeve

	Component	Material
10	Lock device	AISI 304
11	Body seal	PTFE
12	Belleville Spring	AISI 301
13	Spacer	AISI 304
14	O-ring	FKM (Viton®)
15	Lever stop pin	AISI 304
16	Nut	AISI 304
17	Spring washer	AISI 301

Dimensions (mm)

DN	1/4"	3/8"	1/2"	3/4"	1"	1" 1/4	1" 1/2	2"	2" 1/2	3"	4"
P	11,5	12,5	15	20	25	32	40	50	65	76	94
A	49	49	57	64	77	90	105	125	154	173	221
B	100	100	100	115	150	150	180	180	245	245	278
H	54	54	56	65	70	75	93	99	123	140	175
A1	55,5	55,5	57	64	77	90	105	125	154	173	221
B1	120	120	120	120	140	149	200	200	255	255	302
H1	65	65	63	70	74	88	94	102	140	153	175
S	9	9	9	9	11	11	14	14	17	17	17
ISO 5211	F03	F03	F03/F04	F03/F04	F04/F05	F04/F05	F05/F07	F05/F07	F07/F10	F07/F10	F07/F10

Weight (kg)

B3.622	0,23	0,23	0,24	0,45	0,65	1,05	1,7	2,61	5,01	7,61	14,75
--------	------	------	------	------	------	------	-----	------	------	------	-------

Operating torque (Nm)

Nm	4	4	5	8	10	14	18	25	48	75	110
----	---	---	---	---	----	----	----	----	----	----	-----

N.B.: In order to choose the right actuator, we recommend multiplying the operating torque figure by a safety coefficient, K=1.5