

SERIE 03
03233

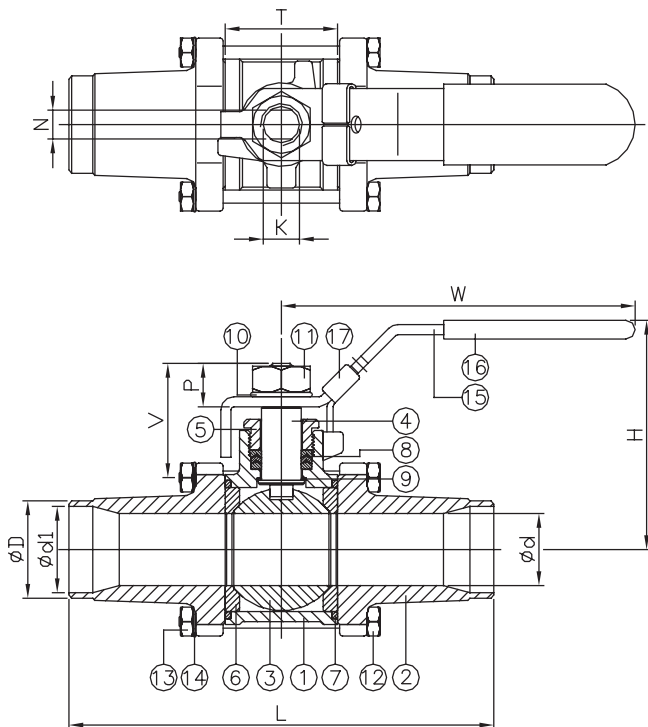
Ball valves with long butt-weld ends, steel

Nominal diameter options (DN) 10-100
Nominal pressure options (PN) 63
Working temperature (°C) 200

FEATURES

- Full port, 3/8"~4" (DN10~DN100)
- W.P. : 1000 WOG (PN63)
- W.T. : -20°C~200°C (-4°F~392°F)
- Investment casting
- Blow-out proof stem
- Anti-static device (option)
- Locking device
- ISO 5211 Mounting pad - 2012LM (option)
- ISO 5211 Direct mounting pad - 2012LD (option)
- Butt weld ends conform to ANSI B16.25 & DIN 3239 part1

MATERIALS AND PARTS



PART	MATERIAL
1. Body	ASTM A216-WCB
2. Cap	
3. Ball	ASTM A351-CF8M
4. Stem	ASTM A276-316
5. Gland nut	AISI 304
6. Seat	PTFE / RTFE
7. Seal	PTFE
8. Packing	
9. Thrust washer	
10. Spring washer	AISI 304
11. Stem nut	
12. Bolt	
13. Nut	
14. Spring washer	Stainless steel
15. Handle	
16. Handle sleeve	PVC
17. Locking device	Stainless steel

* Ball valve can be equipped with hydraulic, pneumatic or electric actuator. Ask more from Econosto Oy sales.

TYPE 03233 - DIMENSIONS

DN	d	d1	D	L	H	W	T	N	V	P	K	Torque (N-M)
10	12.7	14	17.2	225	54	102	21.5	5	29.7	10.5	5/16"UNC	-
15	15	17.3	21.3	225	57	102	24	5	30.1	10.5	5/16"UNC	2.5
20	20	22.5	26.5	225	66	120.5	28	6.5	36.5	13.5	3/8"UNC	4.3
25	25	28.3	33.5	245	76	158.5	35	8	40.6	15.5	7/16"UNC	4.6
32	32	37.2	42.4	255	81	158.5	45	8	41.8	15.5	7/16"UNC	7.4
40	38	43.1	48.3	260	98	188	55	9	48.5	17.5	1/2"W	11.4
50	50	53.3	60.3	275	106	188	66	9	49.4	17.5	1/2"W	12.2
65	65	69	76	334	138	245	86	12	72.1	33	3/4"UNC	32.3
80	76	82	90	354	154	245	100	12	65.6	33	3/4"UNC	46.7
100	100	106	115	365	178	320	125	16	78.2	39	1"UNC	92

unit:mm

NPS	d	d1	D	L	H	W	T	N	V	P	K	Torque (in-lb)
3/8"	0.5	0.55	0.68	8.86	2.13	4.02	0.85	0.2	1.17	0.41	5/16"UNC	-
1/2"	0.59	0.68	0.84	8.86	2.24	4.02	0.94	0.2	1.19	0.41	5/16"UNC	22.1
3/4"	0.79	0.89	1.04	8.86	2.6	4.74	1.1	0.26	1.44	0.53	3/8"UNC	38.1
1"	0.98	1.11	1.32	9.65	2.99	6.24	1.38	0.31	1.6	0.61	7/16"UNC	40.7
1-1/4"	1.26	1.46	1.67	10.04	3.19	6.24	1.77	0.31	1.65	0.61	7/16"UNC	65.5
1-1/2"	1.5	1.7	1.9	10.24	3.86	7.4	2.17	0.35	1.91	0.69	1/2"W	100.9
2"	1.97	2.1	2.37	10.83	4.17	7.4	2.6	0.35	1.94	0.69	1/2"W	108
2-1/2"	2.56	2.72	2.99	13.15	5.43	9.65	3.39	0.47	2.84	1.3	3/4"UNC	285.9
3"	2.99	3.23	3.54	13.94	6.06	9.65	3.94	0.47	2.58	1.3	3/4"UNC	413.3
4"	3.94	4.17	4.53	14.37	7.01	12.6	4.92	0.63	3.08	1.54	1"UNC	814.3

unit:in