

SERIE 12
1287
1288

Mud box - straight form and angle type

1287 = straight form, 1288 = angle form
Nominal diameter options (DN) 40-400
Nominal pressure options (PN) 4-16

TYPES 1287 and 1288

Size range: DN40-400
Pressure: PN4, PN10, PN16
Ends: DIN EN1092 (PN10 flange)
Dimensions: DIN 87 151- E (straight)
DIN87 151 - D (angle)
Test: DIN EN12266
Applications: For pipelines for sea cooling water

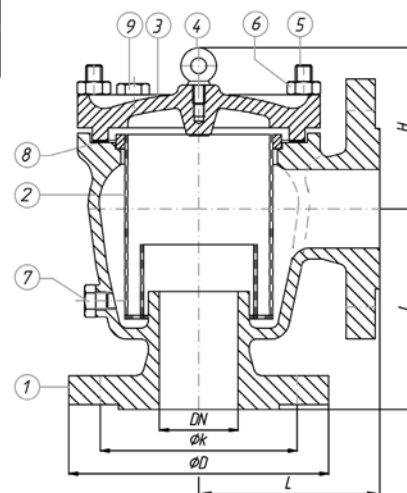
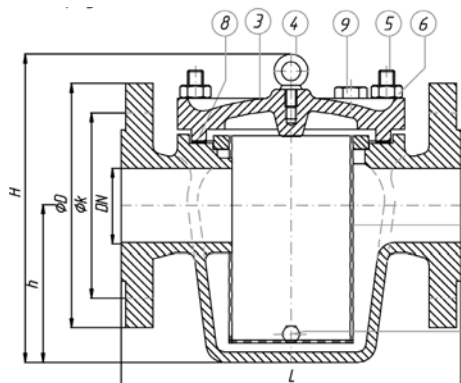
Capacity, water
($v=1,5\text{m/sec.}$)

DN	l/min.	m ³ /h
40	113	6,8
50	177	10,6
65	298	17,9
80	495	29,7
100	708	42,4
125	1100	66,2
150	1590	95,4
175	2360	142,0
200	2830	169,6
250	4420	235,2
300	6365	382,0
350	8660	520,0
400	12350	740,0

PART LIST

No.	Part	Material
1	Body	GG-25, GGG-40, GS-C 25, BRONZE, SS304, SS316
2	Screen	AISI304, AISI316, COPPER
3	Bonnet	GG-25, GGG-40, GS-C 25, BRONZE, SS304, SS316
4	Ring screw	St., SS
5	Ring stud	St., SS
6	Nut	St., SS
7	Plug	St., SS, BRASS
8	Gasket	PERBUNAN
9	Plug	St., SS, BRASS

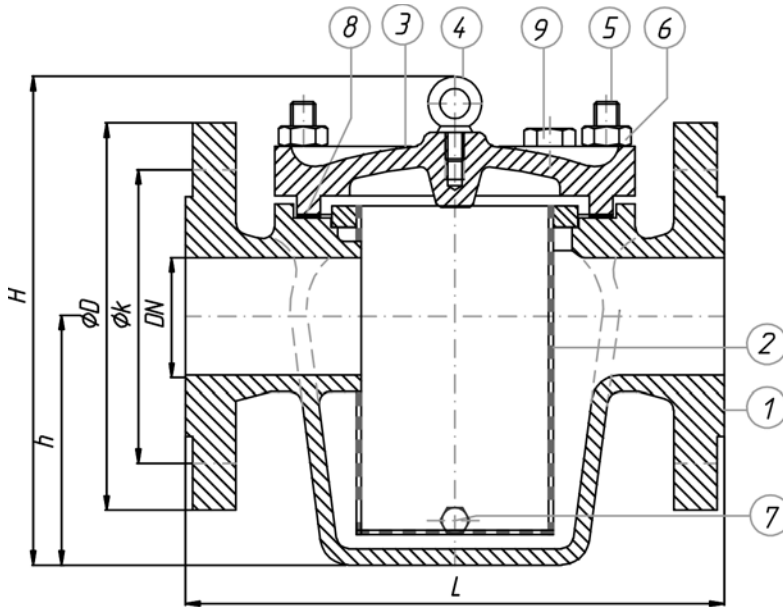
TYPE 1287
Straight form



TYPE 1288
Angle form

DIMENSIONS

TYPE 1287 - STRAIGHT FORM



DN	øD	øk	L	H	h	Weight kg
040	150	110	200	205	95	14
050	165	125	230	225	106	19
065	185	145	290	260	134	26
080	200	160	310	310	156	33
100	220	180	350	345	185	45
125	250	210	400	395	225	60
150	285	240	480	465	265	86
175	315	270	550	500	296	115
200	340	295	600	565	335	147
250	395	350	600	610	345	180
300	445	400	700	675	390	245
350	505	460	800	790	425	325
400	565	515	740	900	470	415

TYPE 1288 - ANGLE FORM

ANGLE FORM

DN	øD	øk	L	H	Weight kg
040	150	110	125	240	15
050	165	125	135	260	21
065	185	145	150	280	25
080	200	160	175	330	36
100	220	180	195	350	51
125	250	210	220	415	69
150	285	240	270	470	94
175	315	270	300	505	120
200	340	295	300	540	138
250	395	350	390	660	200
300	445	400	450	760	278
350	505	460	400	730	330
400	565	515	420/520	980	458

